

# **SHOCKWAVE**

## **SHOCK MITIGATION SEATING**

### **PRODUCT SPECIFICATIONS**

# SW-00-5603



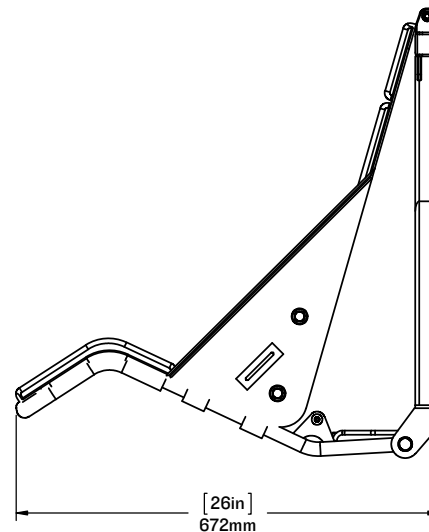
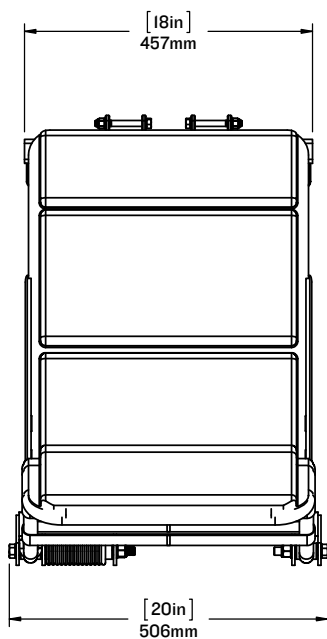
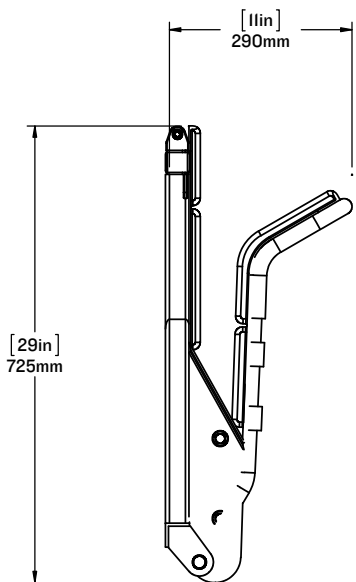
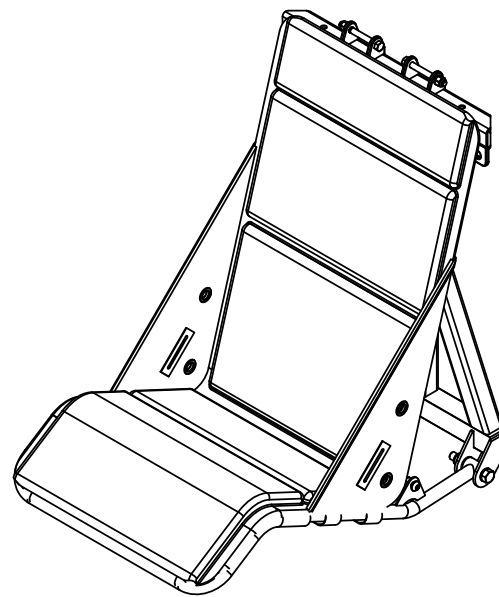
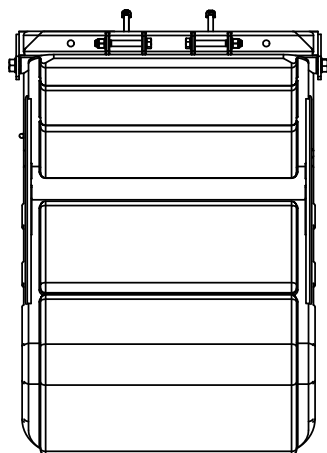
**Corbin**



**FURUNO**



LEARN MORE ABOUT OUR PRODUCTS AT  
**SHOCKWAVESEATS.COM**



**SHOCKWAVE**

FOR MORE INFORMATION  
CALL US AT 250-656-6165  
OR VISIT US ONLINE AT  
[WWW.SHOCKWAVESEATS.COM](http://WWW.SHOCKWAVESEATS.COM)

**PROPRIETARY AND CONFIDENTIAL**

NOTICE: THIS DRAWING MAY REVEAL DESIGNS OR INFORMATION PROPRIETARY TO PROFESSIONAL COMPONENTS LTD. BY ACCEPTANCE OF REPRODUCTIONS, RECIPIENTS AGREE TO PROTECT PROFESSIONAL COMPONENTS LTD. RIGHTS AND ARE WARNED AGAINST USE OF THE DOCUMENT FOR ANY PURPOSE OTHER THAN THAT FOR WHICH IT WAS ISSUED.

**SW-00-5603**

BULKHEAD MOUNT FOLDING TROOP SEAT

SCALE:1:12

SHEET 1 OF 1

REV: 01