

SHOCKWAVE

SHOCK MITIGATION SEATING

PRODUCT SPECIFICATIONS

SW-S3-1200



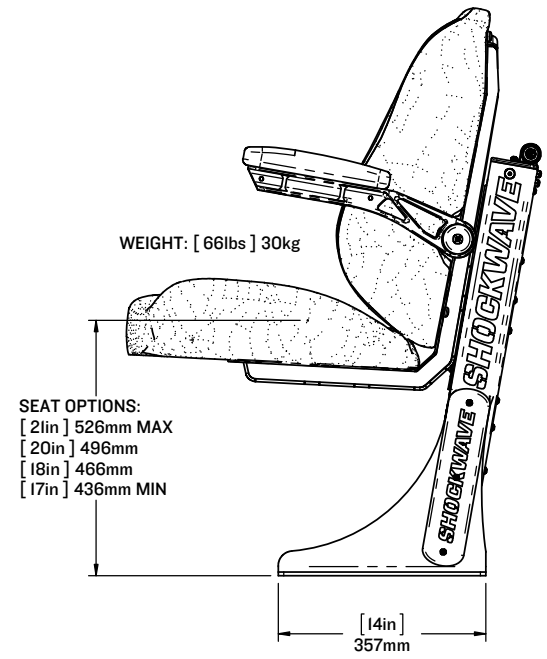
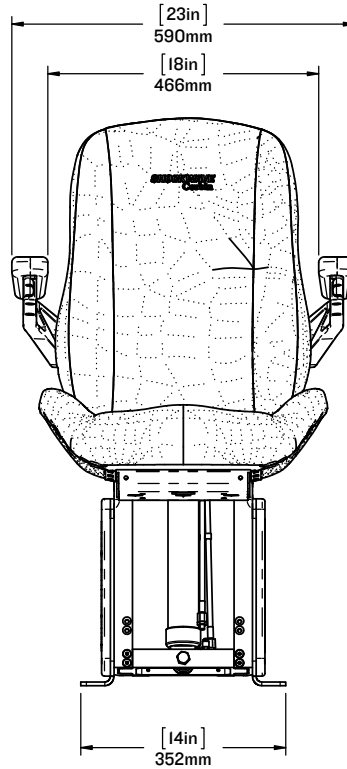
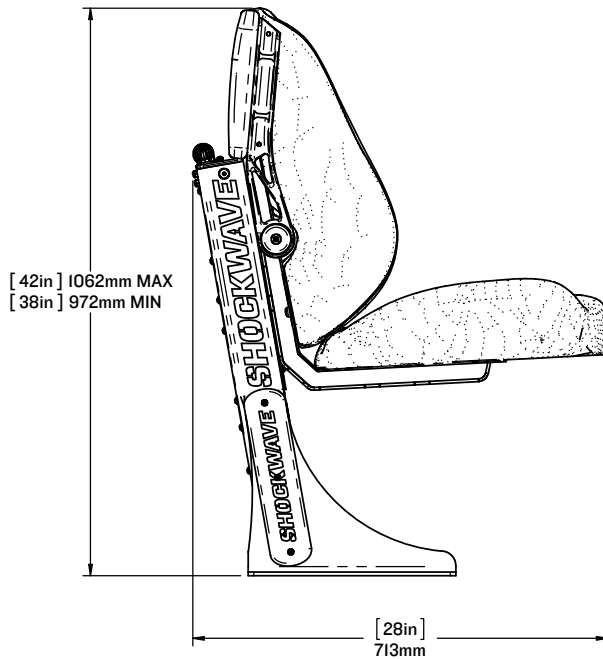
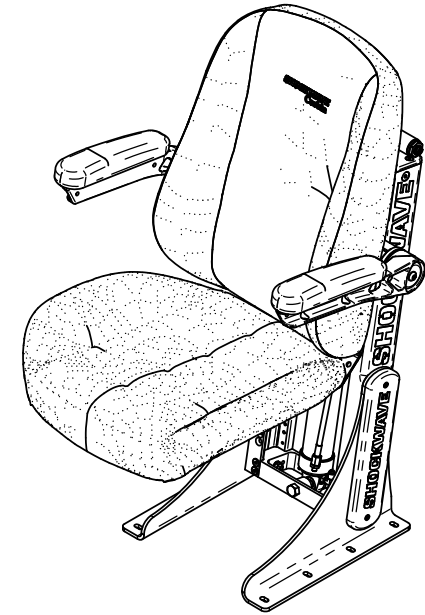
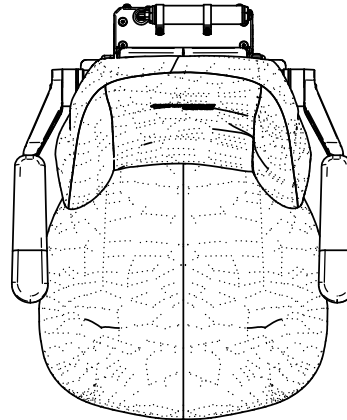
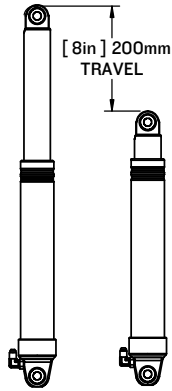
Corbin



FURUNO



LEARN MORE ABOUT OUR PRODUCTS AT
SHOCKWAVESEATS.COM



SHOCKWAVE

FOR MORE INFORMATION
CALL US AT 250-656-6165
OR VISIT US ONLINE AT
WWW.SHOCKWAVESEATS.COM

PROPRIETARY AND CONFIDENTIAL

NOTICE: THIS DRAWING MAY REVEAL DESIGNS OR INFORMATION PROPRIETARY TO PROFESSIONAL COMPONENTS LTD. BY ACCEPTANCE OF REPRODUCTIONS, RECIPIENTS AGREE TO PROTECT PROFESSIONAL COMPONENTS LTD. RIGHTS AND ARE WARNED AGAINST USE OF THE DOCUMENT FOR ANY PURPOSE OTHER THAN THAT FOR WHICH IT WAS ISSUED.

SW-S3-1200
S3A MID BACK SEAT

SCALE:1:13

SHEET 1 OF 1

REV: 00