

SHOCKWAVE SHOCK MITIGATION SEATING

PRODUCT SPECIFICATIONS

SW-00-1800



FURUNO



SEASTAR SOLUTION



Corbin

LEARN MORE ABOUT OUR PRODUCTS AT
SHOCKWAVESEATS.COM

SHOCKWAVE

SW-00-1800



SHOCKWAVE has once again teamed up with world renowned seat manufacturer, Corbin, to design the dynamic Corbin 2 seat. Precision engineering and a state of the art design process have paved the way for a lightweight, robust seat, that sets the standard for true comfort and performance.

The Corbin 2 seat comes equipped with folding armrests and a storage pocket on the seat back, and is the perfect complement for the S5 PRO suspension module.

Available in Onyx, Desert, and Storm, or a variety of custom colors and fabrics – and with machined aluminum seat frames and fiberglass seat backs – these seats will outlast any marine seat on the market.

APPLICATIONS:

COMMERCIAL FISHING | ENFORCEMENT | MILITARY
PILOT BOATS | RESCUE | RIBS | LUXURY YACHT TENDERS

STANDARD FEATURES:

CONSTRUCTION

- Simple Robust Construction
- Reliable SHOCKWAVE PARTNER Components
- Galvanic Corrosion Protection
- 316 Stainless Steel Parts and Hardware
- Certified MIG and TIG welded Components
- Aircraft Style Storage Pocket
- Hard Anodize on Machine or Cast Components
- Hard Anodized Machined Finish or Machine or Cast Components
- Shockwave Black Powder Coated Weldments

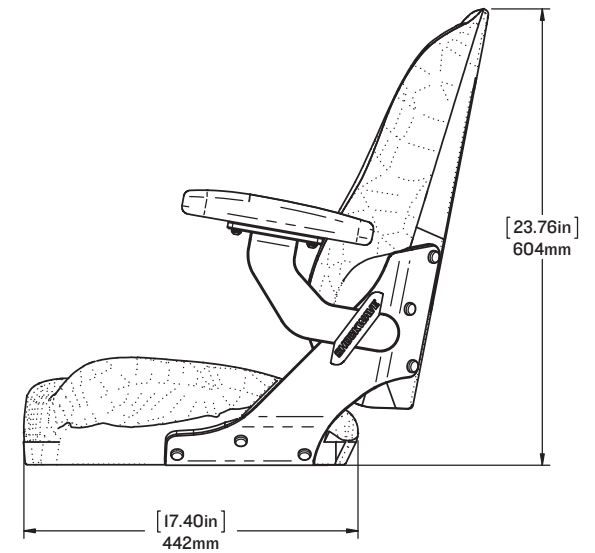
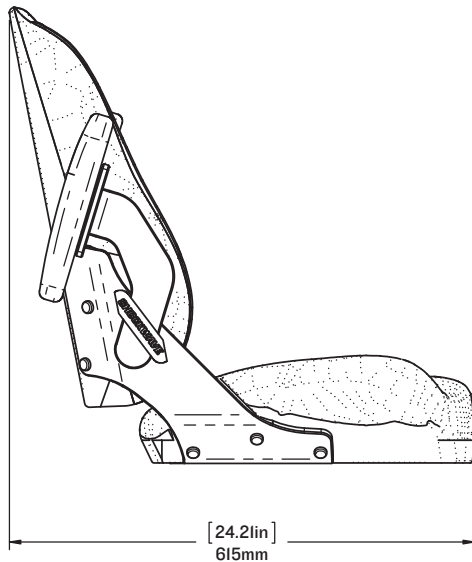
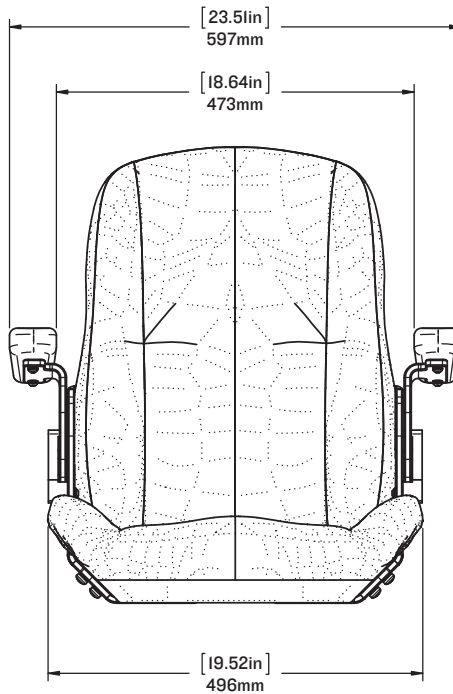
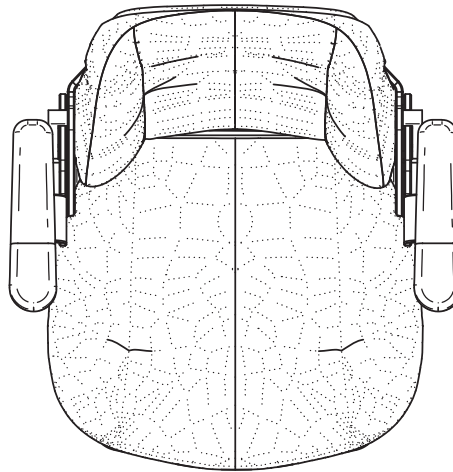
SEATING UPHOLSTERY

- High Energy Absorption
- Form Fitting
- Low Point Load
- Corbin Design Cushions
- Closed Cell Non Hygroscopic Foam
- Welded Aluminum Seat Frame
- Fiberglass Shell
- Premium Quality Fabric

SUSPENSION (Not Included)

- Fully Adjustable FOX H2O FLOAT 6 in. 150 mm. Travel
- ACCURIDE
- Any Payload Any Sea
- Available with 4 in 101mm to 8 in 202 mm Suspension Systems
- Internal Bump and Topping Protection
- Low Stiction Linear Suspension

**MADE IN CANADA AND THE USA
CANADIAN OWNED BUSINESS**



SHOCKWAVE

FOR MORE INFORMATION
CALL US AT 250-656-6165
OR VISIT US ONLINE AT
WWW.SHOCKWAVESEATS.COM

PROPRIETARY AND CONFIDENTIAL

NOTICE: THIS DRAWING MAY REVEAL DESIGNS OR INFORMATION PROPRIETARY TO PROFESSIONAL COMPONENTS LTD. BY ACCEPTANCE OF REPRODUCTIONS, RECIPIENTS AGREE TO PROTECT PROFESSIONAL COMPONENTS LTD. RIGHTS AND ARE WARNED AGAINST USE OF THE DOCUMENT FOR ANY PURPOSE OTHER THAN THAT FOR WHICH IT WAS ISSUED.

SW-04920
CORBIN 2 SEAT

SCALE:1:10

SHEET 1 OF 1

REV: 00