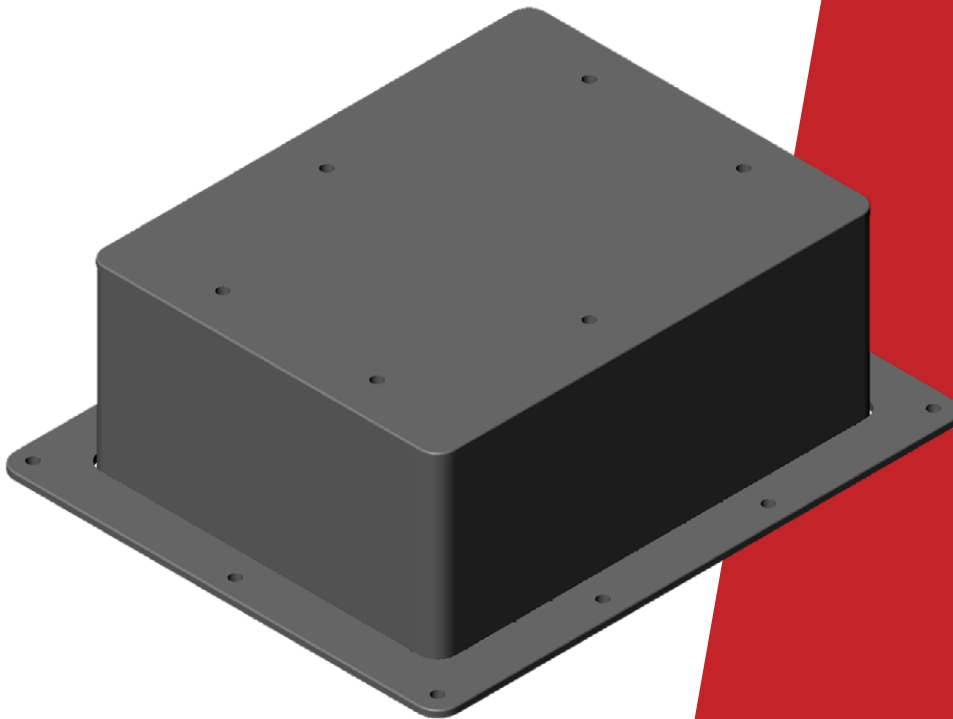


SHOCKWAVE

MARINE SUSPENSION SEATING

S5 | **RISER BOX**
SW-07251



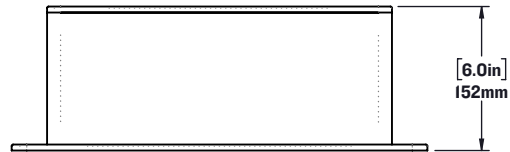
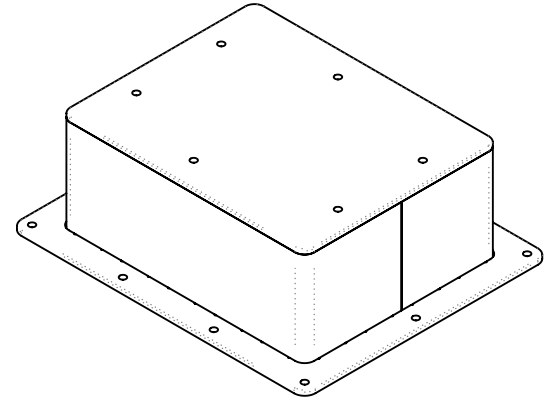
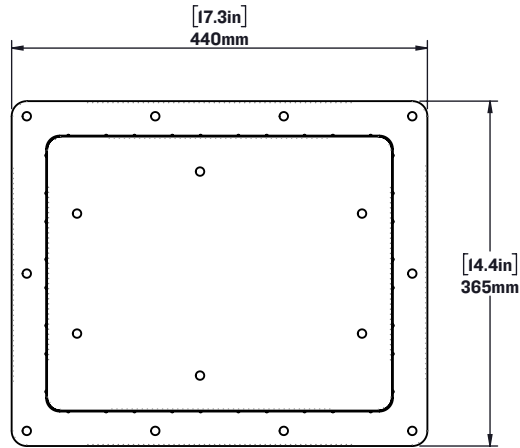
SHOCKWAVE offers custom built riser boxes for customers needing additional height below their S5 suspension module, or Jockey seat. Prices range from \$300-450. Please call SHOCKWAVE for lead-times, pricing or to place an order.

LEARN MORE ABOUT OUR PRODUCTS AT
SHOCKWAVESEATS.COM

+1-778-426-8545
sales@shockwavesseats.com

PRODUCT SPECIFICATIONS

S5



SHOCKWAVE

FOR MORE INFORMATION
 CALL US AT 1-778-426-8545
 OR VISIT US ONLINE AT
WWW.SHOCKWAVESEATS.COM

PROPRIETARY AND CONFIDENTIAL

NOTICE: THIS DRAWING MAY REVEAL DESIGNS OR INFORMATION PROPRIETARY TO PROFESSIONAL COMPONENTS LTD. BY ACCEPTANCE OF REPRODUCTIONS, RECIPIENTS AGREE TO PROTECT PROFESSIONAL COMPONENTS LTD. RIGHTS AND ARE WARNED AGAINST USE OF THE DOCUMENT FOR ANY PURPOSE OTHER THAN THAT FOR WHICH IT WAS ISSUED.

SW-07251

S5 6 inch Riser Box Weldment

WEIGHT: [11.1 lbs] 5.0 kg

SCALE:1:8

SHEET 1 OF 1

REV: 00