

SHOCKWAVE

MARINE SUSPENSION SEATING

S6 | **SUSPENSION MODULE**
SW-07366



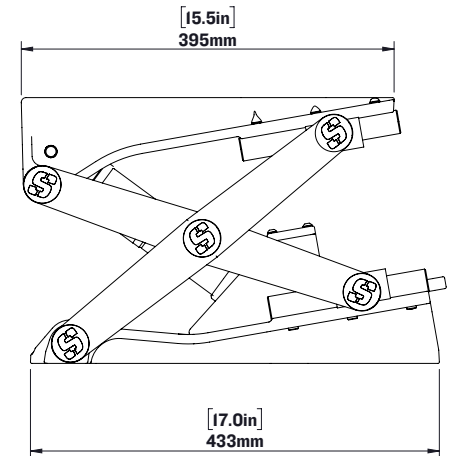
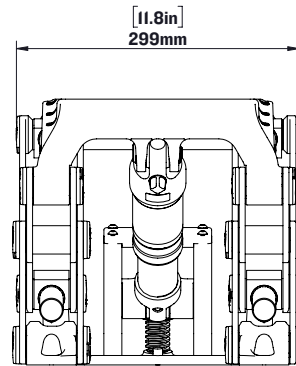
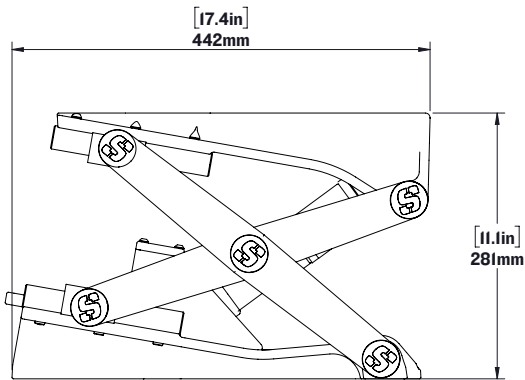
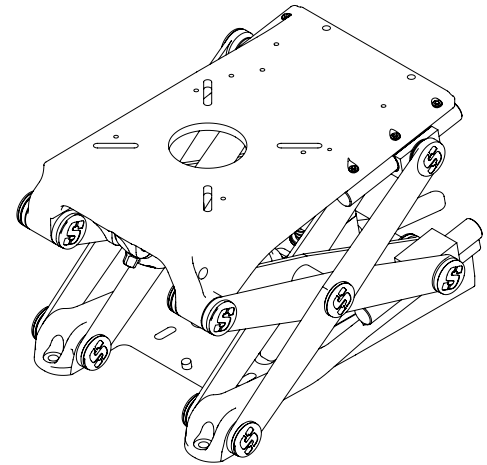
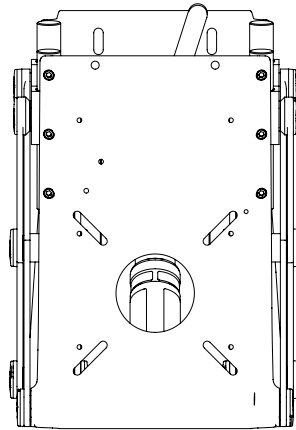
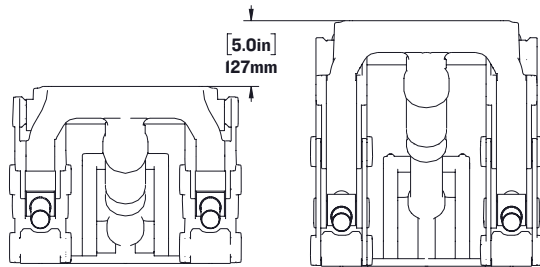
The S6 is a purpose-built suspension module with a fully integrated height adjust, actuated with a ratchet mechanism for precise adjustability. It provides 5.5" of travel to mitigate the shock of 6g impacts for occupants up to 300lbs. The height of the S6 Suspension Module is 10" in its lowest position and 13" in its highest.

LEARN MORE ABOUT OUR PRODUCTS AT
SHOCKWAVESEATS.COM

+1-778-426-8545
sales@shockwavedseats.com

PRODUCT SPECIFICATIONS

S6



SHOCKWAVE

FOR MORE INFORMATION
 CALL US AT 1-778-426-8545
 OR VISIT US ONLINE AT
WWW.SHOCKWAVESEATS.COM

PROPRIETARY AND CONFIDENTIAL

NOTICE: THIS DRAWING MAY REVEAL DESIGNS OR INFORMATION PROPRIETARY TO PROFESSIONAL COMPONENTS LTD. BY ACCEPTANCE OF REPRODUCTIONS, RECIPIENTS AGREE TO PROTECT PROFESSIONAL COMPONENTS LTD. RIGHTS AND ARE WARNED AGAINST USE OF THE DOCUMENT FOR ANY PURPOSE OTHER THAN THAT FOR WHICH IT WAS ISSUED.

SW-07366

S6 Module

WEIGHT: [31.9 lbs] 14.5 kg

SCALE:1:10

SHEET 1 OF 1

REV: