

SHOCKWAVE

S5

S5 | ADJUSTABLE FOOTREST SW-03264



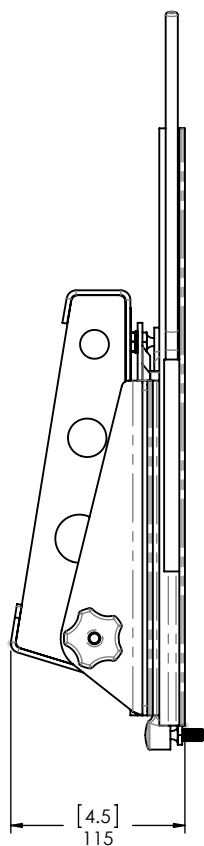
Our folding footrest bolts securely to virtually any bulkhead and provides a stable platform 17" wide. Thanks to the 6" of vertical adjustability it can accommodate almost anyone and when not in use folds conveniently out of the way. Please call Shockwave for lead-times, pricing or to place an order.

LEARN MORE ABOUT OUR PRODUCTS AT
SHOCKWAVESEATS.COM

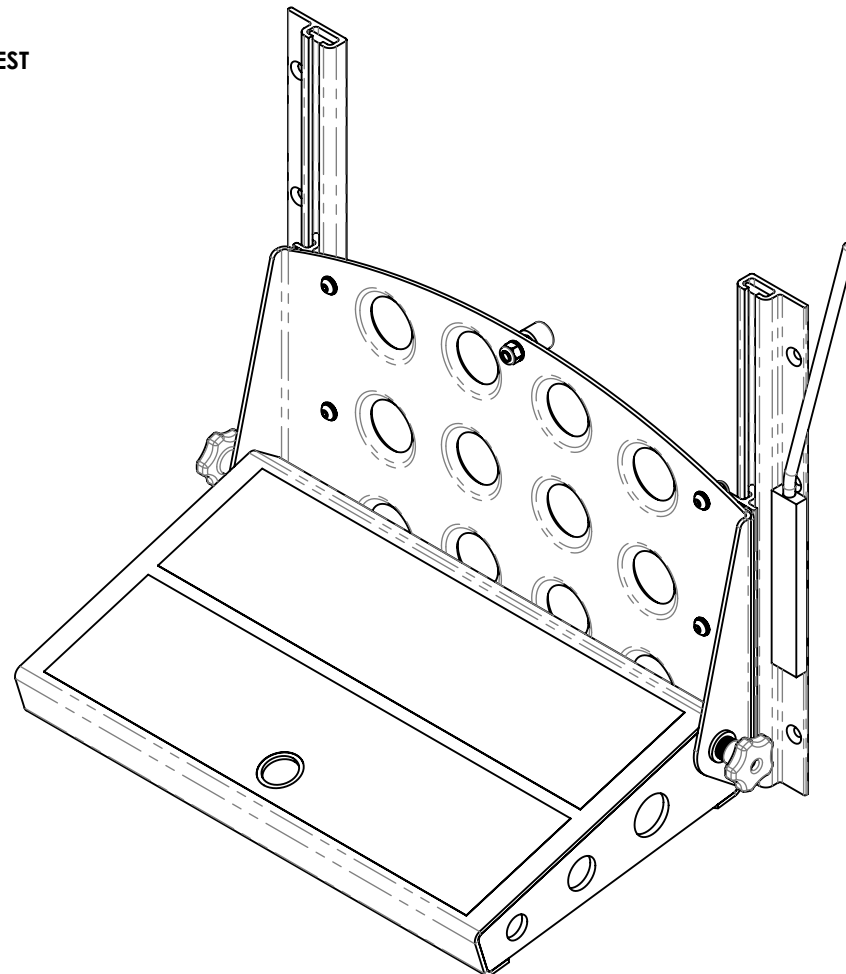
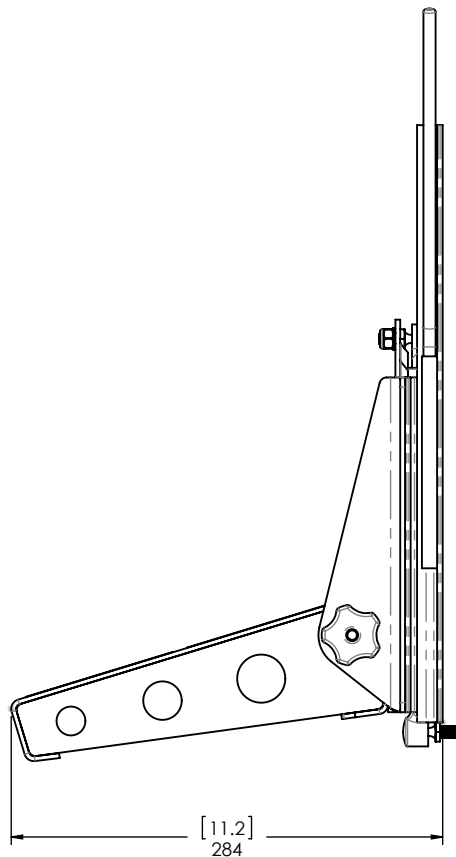
+1-778-426-8545
sales@shockwvaseats.com

SW-03264
 SHOCKWAVE ADJUSTABLE FOOTREST
 (6 IN OF HEIGHT ADJUSTMENT)

STOWED



DEPLOYED



FOR FURTHER ASSISTANCE

PLEASE CALL US AT 250-656-6165
 OR VISIT US ON THE WEB AT

WWW.SHOCKWAVESEATS.COM

PROPRIETARY AND CONFIDENTIAL

NOTICE: THIS DRAWING MAY REVEAL DESIGNS OR INFORMATION
 PROPRIETARY TO PROFESSIONAL COMPONENTS LTD. BY
 ACCEPTANCE OF REPRODUCTIONS, RECIPIENTS AGREE
 TO PROTECT PROFESSIONAL COMPONENTS LTD. RIGHTS
 AND ARE WARNED AGAINST USE OF THE DOCUMENT FOR
 ANY PURPOSE OTHER THAN THAT FOR WHICH IT WAS ISSUED.

Adjustable Footrest - Assembly
 Part # SW-03264

SCALE: 1:5

SHEET 2 OF 2

REV: 00