

SHOCKWAVE **S5**

MARINE SUSPENSION SEATING



**INSTALLATION
MANUAL**

CORBIN2 SEAT

Part ID: SW-04920



FEEL BETTER. TRAVEL FARTHER.

CUSTOMER SERVICE

At **SHOCKWAVE**, we've proven that innovation and attention to the highest safety standards can protect boaters from the shock of wave impact. As avid boaters ourselves, we understand what our customers value most – and we create the best marine suspension seats in the world to provide a safer, more comfortable and exciting ride.

For customer inquiries and service support contact **+1.778.426.8544** or **support@shockwaveseats.com**

Serial Number:

ADDRESS	2074 Henry Ave. Sidney, BC Canada V8L 5Y1
WEBSITE	shockwaveseats.com
SALES	+1.778.426.8545
RECEPTION	+1.250.656.6165
HOURS	8AM to 5PM PST

INCLUDED WITH YOUR PURCHASE - PARTS LIST:

- 1 – S5 Module
- 1 – Corbin2 - Fixed Back Seat
- 4 – 5/16x1" Countersunk Cap Screw
- 4 – 5/16 Flat Washer
- 4 – 5/16 Nyloc Nut
- 12 – Snap Base
- 12 – Snap Cap
- 12 – 1/4x1" Button Head Screw

TOOLS AND MATERIALS - IMPERIAL TOOLS REQUIRED:

- 3/16" Allen Key
- 1/2" Wrench or Socket
- 9/64" Allen Key

MATERIALS REQUIRED:

- Loctite 243 Medium Strength Thread Locker or Equivalent

SHOCKWAVE

MARINE SUSPENSION SEATING

INSTALLATION MANUAL CONTENTS

INSTALLATION INSTRUCTIONS OVERVIEW

4

CORBIN2 INSTALLATION INSTRUCTIONS

5

S5 PRODUCT LINE

8

HOW TO VIDEOS

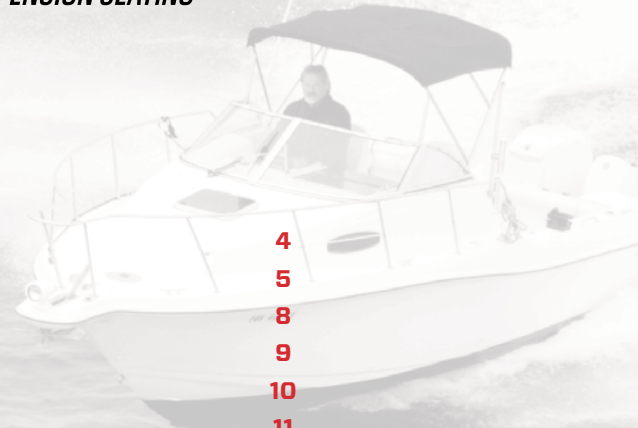
9

WARRANTY AND WARRANTY POLICY

10

JOIN THE SHOCKWAVE COMMUNITY

11



JOIN THE SHOCKWAVE COMMUNITY

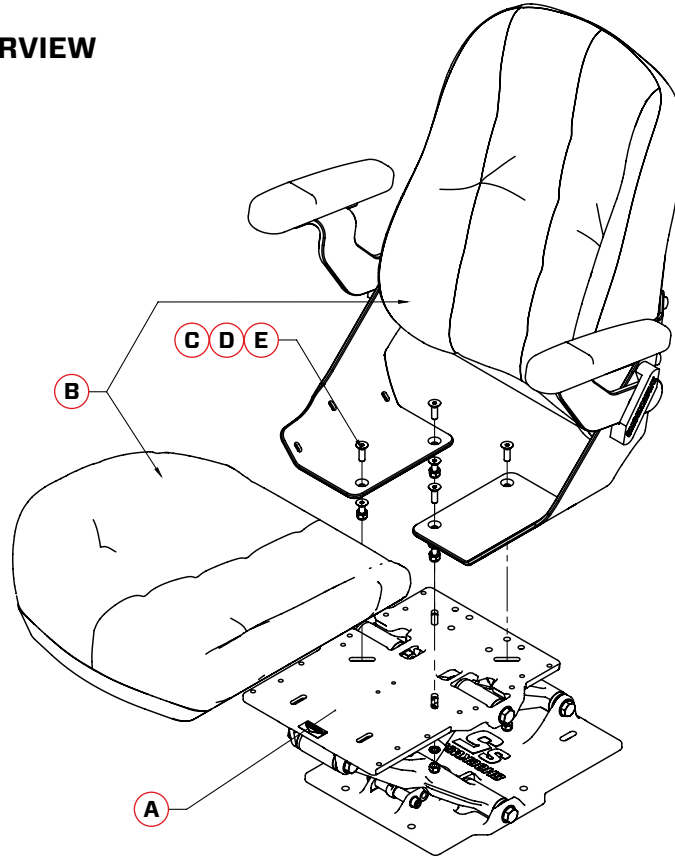
 [@SHOCKWAVESEATS](#)

 [@SHOCKWAVESEATS](#)

 youtube.com/shockwaveSeats

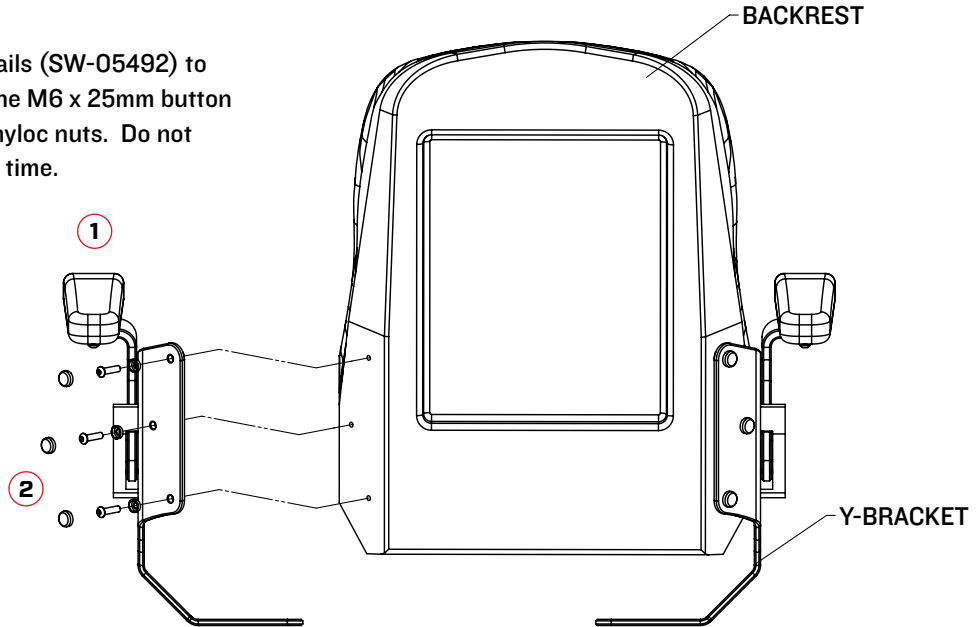
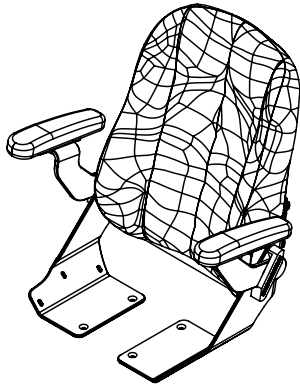
INSTALLATION INSTRUCTIONS OVERVIEW

- A** 1 - S5 Module
- B** 1 - Corbin2 - Fixed Back Seat
- C** 4 - 5/16 x 1" Countersunk Screw
- D** 4 - 5/16 Flat Washer
- E** 4 - 5/16 Nyloc Nut



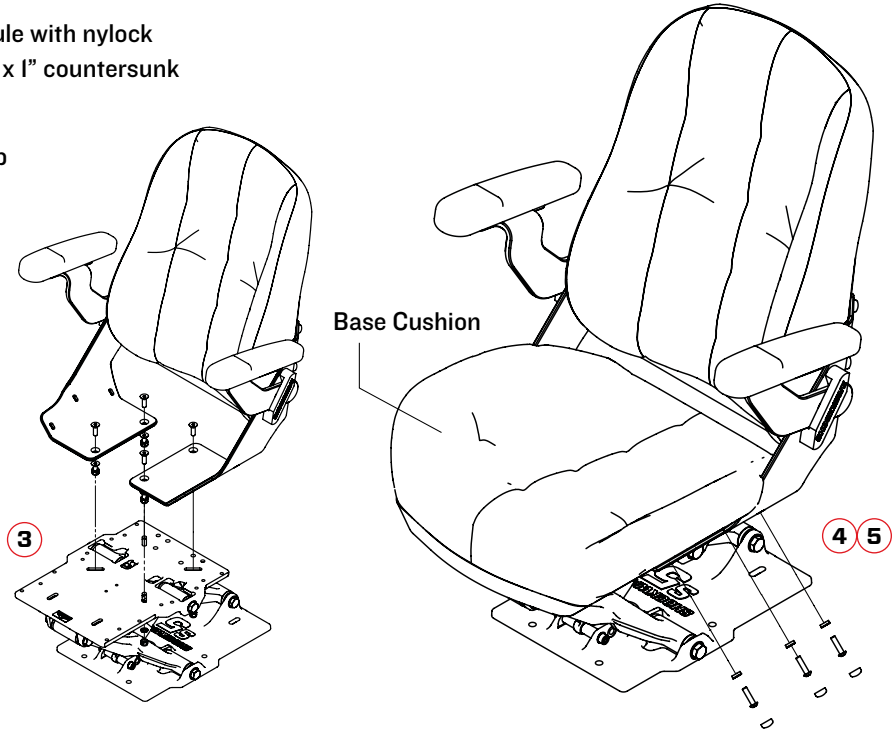
INSTALLATION INSTRUCTIONS - Skip to 'Step 3' if the Y brackets are already attached to the backrest

1. Pass six 1/4 x 1" fasteners through snap bases, then apply Loctite 243 and install the two Y brackets onto the backrest using the fasteners and torque to 10in-lbs.
2. Loosely install the two Square Rails (SW-05492) to the top of the S5 Module using the M6 x 25mm button head cap screws, washers, and nyloc nuts. Do not fully tighten the fasteners at this time.



INSTALLATION INSTRUCTIONS CONTINUED

3. Bolt backrest assembly onto S5 Module with nylock nuts and flat washers using four 5/16 x 1" countersunk cap screws and torque to 9.5ft-lbs.
4. Pass six 1/4x1" fasteners through snap bases, then apply Loctite 243 and install loosely to base cushion before torquing to 10in-lbs.
5. Install snap caps.



INSTALLATION INSTRUCTIONS - *Skip to 'Step 3' if the Y brackets are already attached to the backrest*

1. Choose the location for the Seat Heat Switch and cut a hole based on the panel thickness and mounting opening guidelines:
2. Locate a 12 Volt DC Positive and Negative source that can provide 6 amps of 12 Volts DC power.
3. Connect the two black connectors on the Seat Harness to the matching connectors on the seat cushions.
4. Route the Seat Harness to the Switch location and secure the Harness appropriately.
5. Route the Power Harness from the Switch location to the 12 Volt DC source location and secure the Harness appropriately. **WARNING!** Do not connect the Power Harness to the 12 Volt DC source at this time.
6. Connect the red # 1 wire connector from the Seat Harness to terminal # 1 on the Switch.
7. Connect the black # 3 wire piggyback connector from the Power Harness to terminal # 3 on the Switch.
8. Connect the black # 3 wire connector from the Seat Harness to the spare terminal on the piggyback connector installed in step # 6.
9. Connect the red wire from the Power Harness to the remaining unmarked terminal on the Switch.
10. Install the Switch into the hole made in step # 1.
11. Connect the black wire from the Power Harness to a 12 Volt DC Negative source.
12. Connect the red wire from the Power Harness to a 12 Volt DC Positive source .
13. **Turn on the Seat Heat Switch.**
14. **Check that the seat cushions are providing heat.**

S5 PRODUCT LINE



S5 SUSPENSION MODULE

The SHOCKWAVE S5 comes in a matte black or glossy white finish. It is easily and quickly installed in virtually any boat and can be mounted on a riser box or pedestal with minimal effort.



CORBIN2 MID-BACK SEAT

The Corbin2 Mid-Back is designed to add an extra element of comfort and support for your suspension module. Crafted in the U.S., these seats are the definition of quality and strength, made using only the best materials available today. **Available in** Onyx (black), Desert (tan) and Storm (white). **Also available** with heated cushions.



CORBIN2 HIGH-BACK SEAT

The Corbin2 High-Back is designed to add an extra element of comfort and support for your suspension module. Crafted in the U.S., these seats are the definition of quality and strength, made using only the best materials available today. **Available in** Onyx (black) and Storm (white). **Also available** with heated cushions.



HEIGHT ADJUST

The SHOCKWAVE S5 height adjust system integrates seamlessly with your suspension module to provide a full 3 inches of vertical travel at the touch of a button. Built to last and made with the highest-quality components this is the perfect option for giving your S5 the ultimate in adjustability.



SLIDE

The SHOCKWAVE S5 high-quality seat slide offers a full 5 inches of fore-aft travel allowing for comfortable seating options for a wide variety of occupants and uses.



SWIVEL

This remarkable SHOCKWAVE S5 seat swivel offers 360-degree swivel. It locks in place in any of its 16 positions for excellent flexibility.



SWIVEL SLIDE

The ultimate in adjustability for your suspension module, this swivel and slide system is designed specifically for the S5 and built to the same high level of durability and corrosion resistance. The slide offers 5 inches of fore-aft travel and the 360-degree swivel locks in place in any of 16 positions for excellent flexibility.

HOW TO VIDEOS

For complete instructions, including video tutorials of how to install your Corbin2 Seat, please visit www.shockwaveSeats.com/howto, where we have a comprehensive guide for installation options.

For further instructions, please contact your Shockwave S5 dealer or email support@shockwaveSeats.com.



WARRANTY AND WARRANTY POLICY

Shockwave Seats expressly warrants that all mechanical seat components in its MARINE AND OTHER and SUSPENSION SEATS shall be free from defects in material and workmanship for one year from the date-of-sale provided such seats are subject to normal use and receive proper maintenance. Shockwave Seats expressly warrants that the cushions and seat covers shall be free from defectively sewn seams for a period of 90 days or 750 hours of use, whichever comes first, excluding normal wear and tear. Rips, tears, abrasions and installation damages are not covered by warranty.

Your sole and exclusive remedy against Shockwave Seats arising from the purchase or use of MARINE AND OTHER and SUSPENSION SEATS is limited to repair or replacement of defective materials or defective workmanship, after verification by Shockwave Seats. Defective product or materials may be requested for return by SHOCKWAVE Seats for inspection prior to issuing any replacements. Freight charges for returns are to be covered by the user.

All warranty claims shall have prior approval from Shockwave Seats warranty department and must be accompanied by the information requested on the following Claim Form. Products will be repaired or replaced at the sole discretion of Shockwave Seats.

These warranties will become null and void if:

- The seat is abused or altered
- The seat is involved in an accident
- The seat is improperly installed
- The seat is used for other than its intended use, contrary to any of the instructions in the manual provided
- There is damage to the cushions and covers caused by cuts, burns, or abuse
- There is damage to the seat caused during installation or unpacking
- There is damage to the structural integrity as a result of the user installing unapproved accessories
- Footrests are mounted directly to seat
- Occupant weight exceed 250lbs [113kgs] for 3g deck accelerations

WARRANTY DISCLAIMERS AND LIMITATIONS OF LIABILITY

THE ABOVE EXPRESSED WARRANTIES SHALL BE THE EXCLUSIVE WARRANTIES, AND SHOCKWAVE SEATS MAKES NO OTHER WARRANTIES, EXPRESSED OR IMPLIED. SHOCKWAVE SEATS EXPRESSLY DISCLAIMS ANY IMPLIED WARRANTIES OF MERCHANTABILITY AND IMPLIED WARRANTIES OF FITNESS FOR A PARTICULAR PURPOSE.

IT IS AGREED THAT SHOCKWAVE SEATS SHALL NOT BE LIABLE FOR INCIDENTAL OR CONSEQUENTIAL DAMAGES, including, but not limited to, loss of income, loss of use, lost profits, damage to other property, the cost of removing and reinstalling the INDUSTRIAL SEATING or SUSPENSION SEATS, attorney's fees, and any liability you may have with respect to any other person.

TIME LIMIT ON COMMENCING LEGAL ACTION

It is agreed that you have one year from the accrual of a claim to commence any legal action arising from the purchase or use of the MARINE AND OTHER or SUSPENSION SEATS, or be barred forever. Failure to give prompt written notice within ten (10) days of the discovery of any defect in material or workmanship that occurs within the warranty period will void the warranty. Send notification to:

SHOCKWAVE SEATS Warranty Department

Unit 2-2075 Henry Avenue West, Sidney BC Canada V8L 1T2
Email: support@shockwaveseats.com - Phone: +1.250.656.6165

WARRANTY CLAIM FORM MUST BE SUBMITTED


Download your Warranty Claim Form at shockwaveseats.com/warranty

JOIN THE SHOCKWAVE COMMUNITY



 **@SHOCKWAVESEATS**

 **@SHOCKWAVESEATS**

 **[youtube.com/shockwavesats](https://www.youtube.com/shockwavesats)**

SHOCKWAVE

MARINE SUSPENSION SEATING