

# SHOCKWAVE

MARINE SUSPENSION SEATING

## ICE4 | FIVE PERSON CONSOLE

### ICE4 FIVE PERSON SW-ICE4006

The ICE4 is a patented 5-person, suspended console with jockey seats, designed to provide advanced, adjustable, multi-axis shock mitigation for vessel crews, electronics and personal effects. It is lighter weight than the ICE3, compact and offers an optional folding radar arch. The ICE4 structure can also accommodate climate controls, weather protection, sensors and antennas. This unit has fully adjustable 12-inch FOX Float H2O racing shock absorbers located on each corner and a sway bar to limit roll. It can be configured to accommodate 4 to 6 passengers.

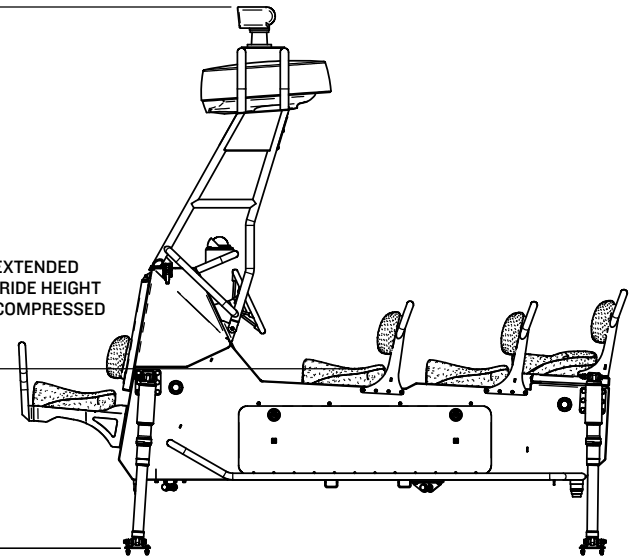
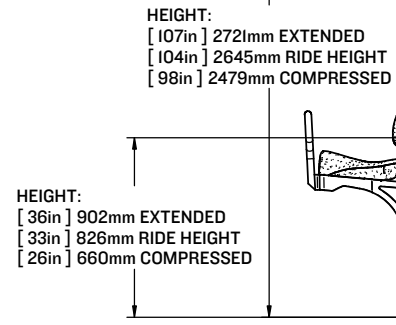
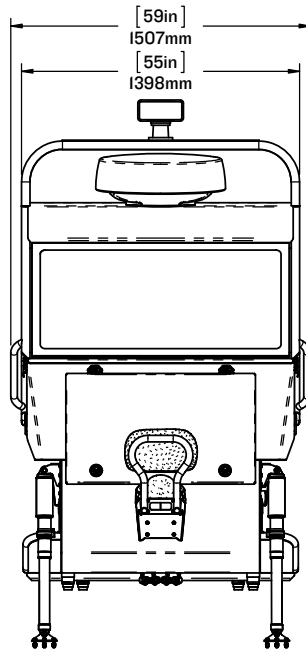
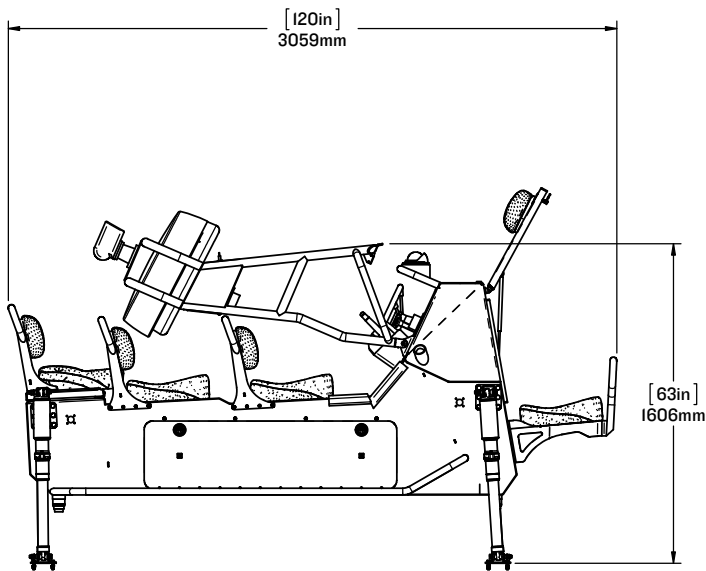
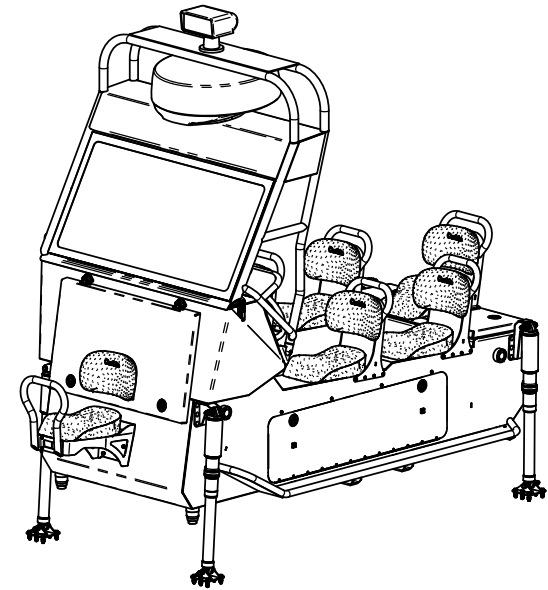
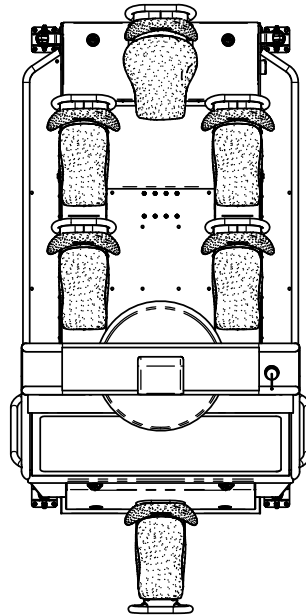
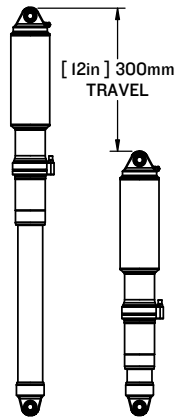


LEARN MORE ABOUT OUR PRODUCTS AT  
**SHOCKWAVESEATS.COM**

+1-778-426-8545  
sales@shockwavesats.com

PRODUCT SPECIFICATIONS

ICE



**SHOCKWAVE**

FOR MORE INFORMATION  
 CALL US AT 250-656-6165  
 OR VISIT US ONLINE AT  
[WWW.SHOCKWAVESEATS.COM](http://WWW.SHOCKWAVESEATS.COM)

**PROPRIETARY AND CONFIDENTIAL**

NOTICE: THIS DRAWING MAY REVEAL DESIGNS OR INFORMATION PROPRIETARY TO PROFESSIONAL COMPONENTS LTD. BY ACCEPTANCE OF REPRODUCTIONS, RECIPIENTS AGREE TO PROTECT PROFESSIONAL COMPONENTS LTD. RIGHTS AND ARE WARNED AGAINST USE OF THE DOCUMENT FOR ANY PURPOSE OTHER THAN THAT FOR WHICH IT WAS ISSUED.

**SW-ICE4006**  
 ICE4 6-MAN

SCALE:1:38

SHEET 1 OF 1

REV: 00