

SHOCKWAVE

MARINE SUSPENSION SEATING

S2

HELM AND PASSENGER SEATS



S2 MID-BACK FLIP BOLSTER
SW-S2-1201



S2 HIGH-BACK FLIP BOLSTER
SW-S2-1301

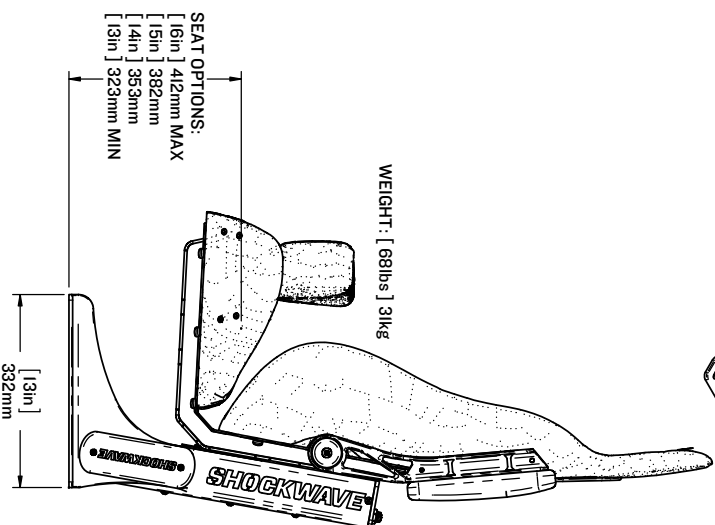
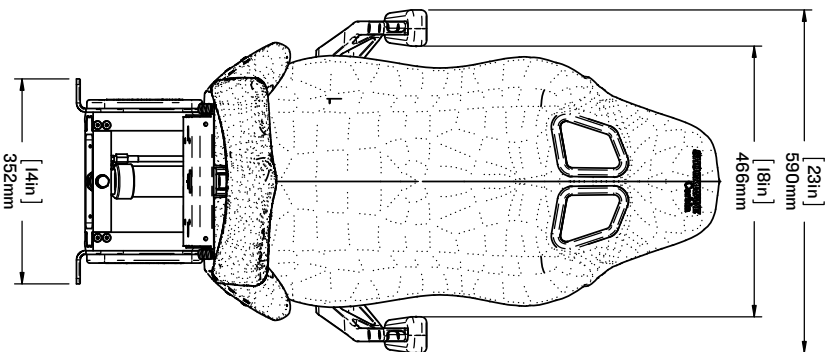
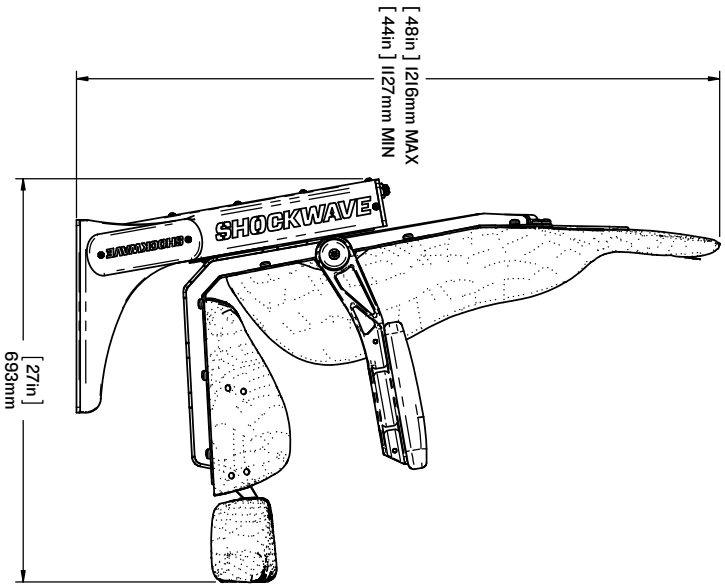
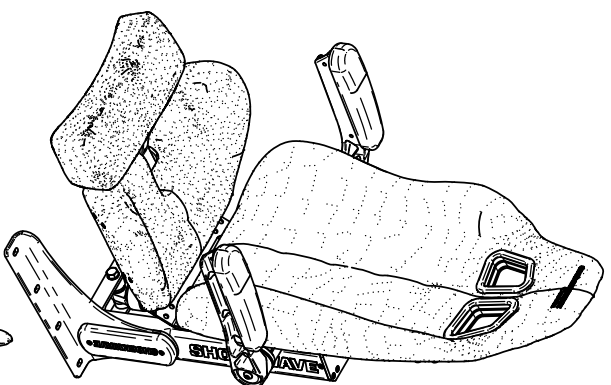
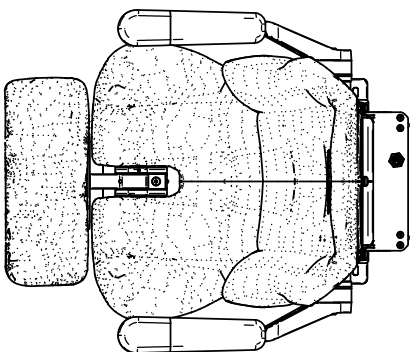
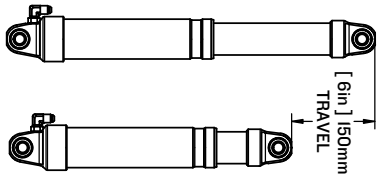
Another popular **S2** helm or passenger seat. This seat offers a flip bolster enabling occupants to sit or stand while providing superior ergonomics and performance.

LEARN MORE ABOUT OUR PRODUCTS AT
SHOCKWAVESEATS.COM

+1-778-426-8545
sales@shockwavesseats.com

PRODUCT SPECIFICATIONS

S2



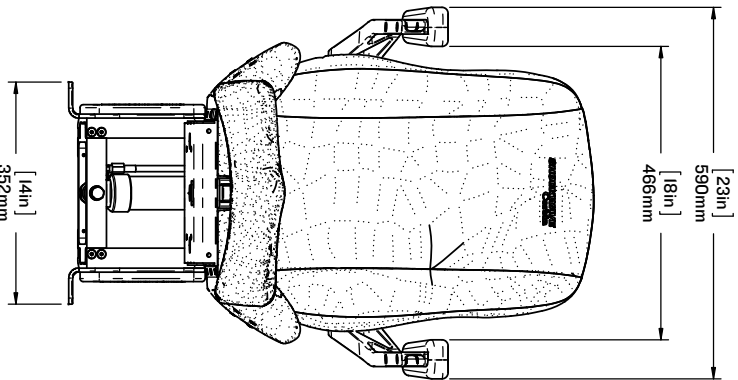
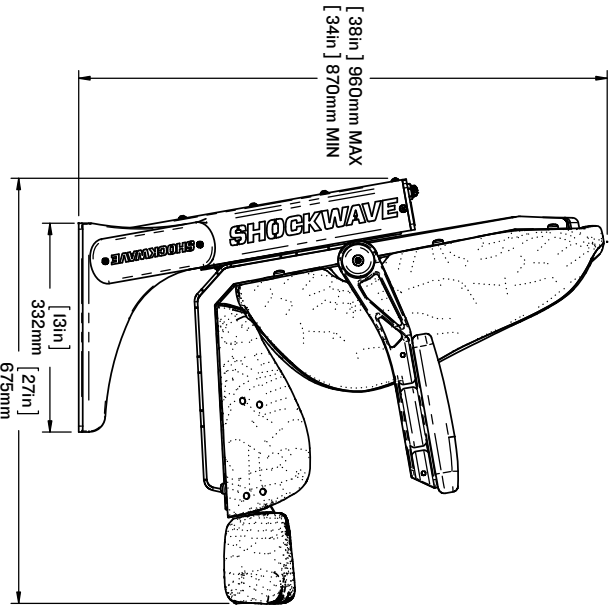
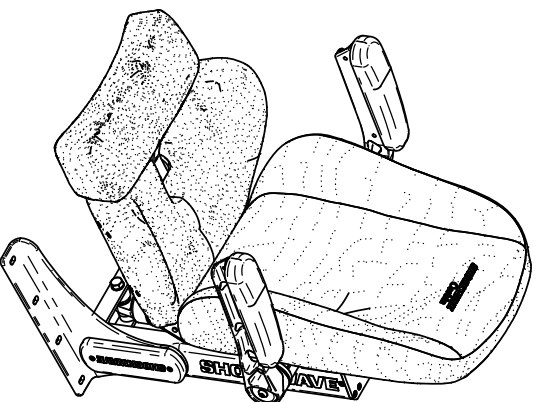
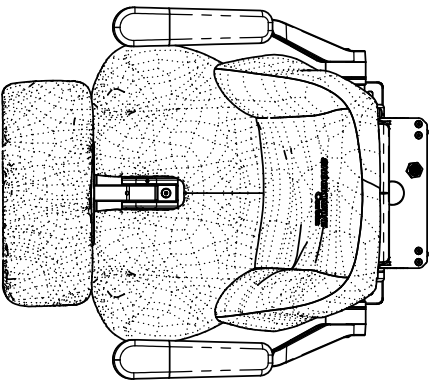
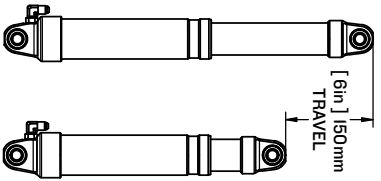
SHOCKWAVE

FOR MORE INFORMATION
CALL US AT 250-656-6165
OR VISIT US ONLINE AT
WWW.SHOCKWAVESEATS.COM

PROPRIETARY AND CONFIDENTIAL
NOTICE: THIS DRAWING MAY REVEAL DESIGNS OR INFORMATION PROPRIETARY TO PROFESSIONAL COMPONENTS LTD. BY ACCEPTANCE OF REPRODUCTION, REQUIRMENTS AGREE TO PROTECT PROFESSIONAL COMPONENTS LTD RIGHTS IN THIS DRAWING AND TO REFRAIN FROM REPRODUCING OR USING ANY PURPOSE OTHER THAN THAT FOR WHICH IT WAS ISSUED.

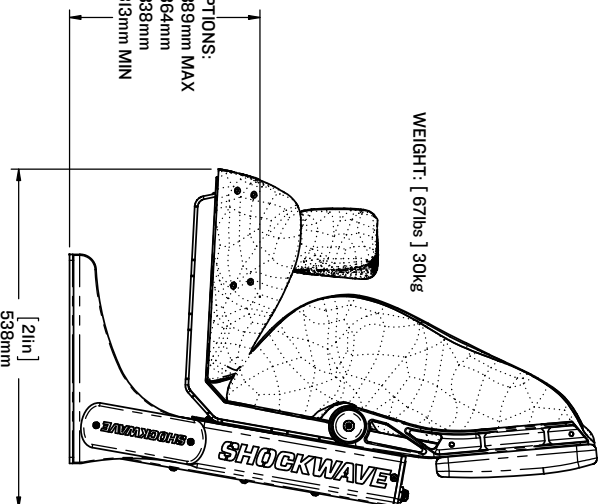
SW-S2-1301
S2A CORBIN HIGH BACK FLIP BOLSTER SEAT
SCALE: 1/3

SHEET 1 OF 1
REV:00



SEAT OPTIONS:
[15in] 389mm MAX
[14in] 364mm
[13in] 338mm
[12in] 313mm MIN

WEIGHT: [67lbs] 30kg



SHOCKWAVE

FOR MORE INFORMATION
CALL US AT 250-656-6165
OR VISIT US ONLINE AT
WWW.SHOCKWAVESEATS.COM

PROPRIETARY AND CONFIDENTIAL

NOTICE: THIS DRAWING MAY REVEAL DESIGNS OR INFORMATION PROPRIETARY TO PROFESSIONAL COMPONENTS LTD. BY ACCEPTANCE OF REPRODUCTIONS, REQUIRMENTS AGREE TO PROTECT PROFESSIONAL COMPONENTS LTD RIGHTS IN ANY PURPOSE OTHER THAN THAT FOR WHICH IT WAS ISSUED.

SW-S2-1201
S2A CORBRIN MID BACK FLIP BOLSTER SEAT

SCALE: 1/2

SHEET 1 OF 1

REV: 00