

SHOCKWAVE

MARINE SUSPENSION SEATING

S2

HELM AND PASSENGER SEATS



**S2 MID-BACK DROP-DOWN
BULKHEAD MOUNT**
SW-S2-1202-BM



**S2 HIGH-BACK DROP-DOWN
BULKHEAD MOUNT**
SW-S2-1302-BM

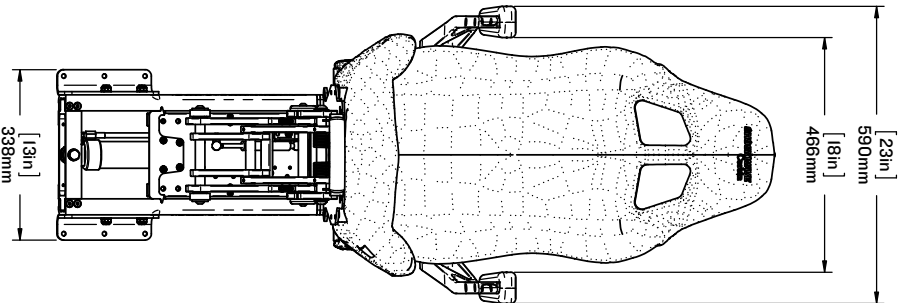
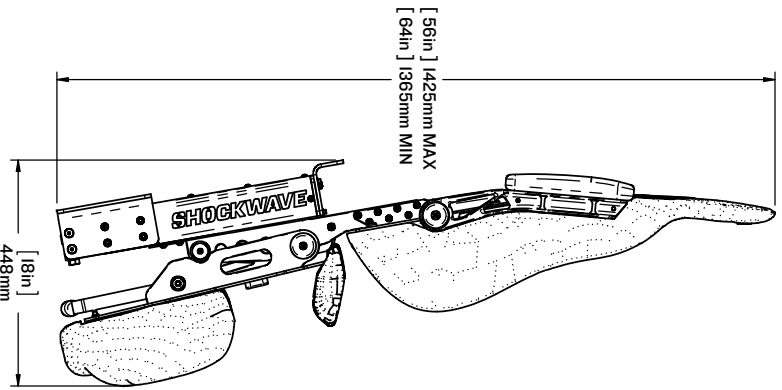
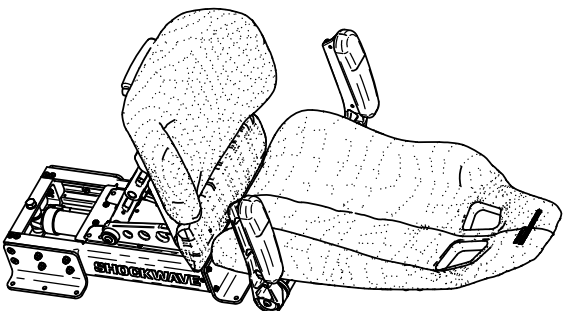
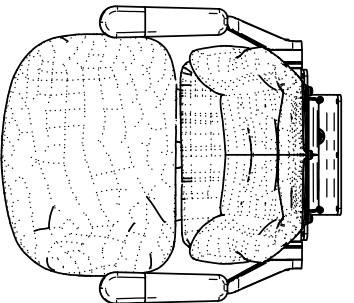
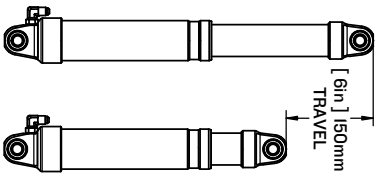
This vertical drop-down seat allows the user to sit or stand while offering superior comfort in both positions. This compact and lightweight helm passenger seat is commonly used on cabin boats for moderate to heavy sea conditions.

LEARN MORE ABOUT OUR PRODUCTS AT
SHOCKWAVESEATS.COM

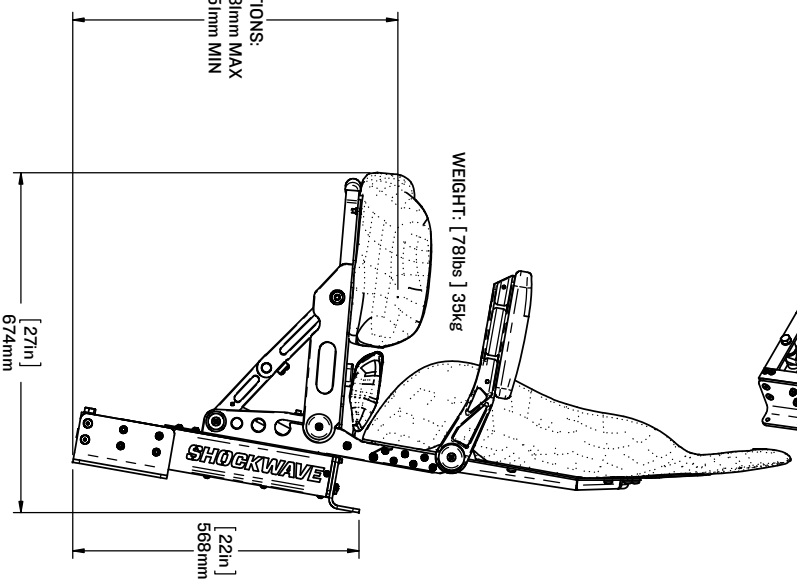
+1-778-426-8545
sales@shockwavesseats.com

PRODUCT SPECIFICATIONS

S2



SEAT OPTIONS:
 [27in] 681mm MAX
 [26in] 651mm MIN

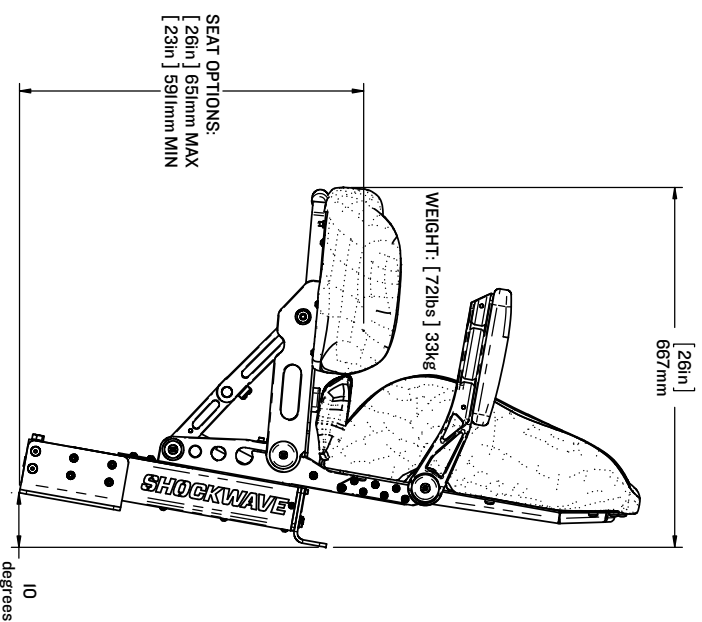
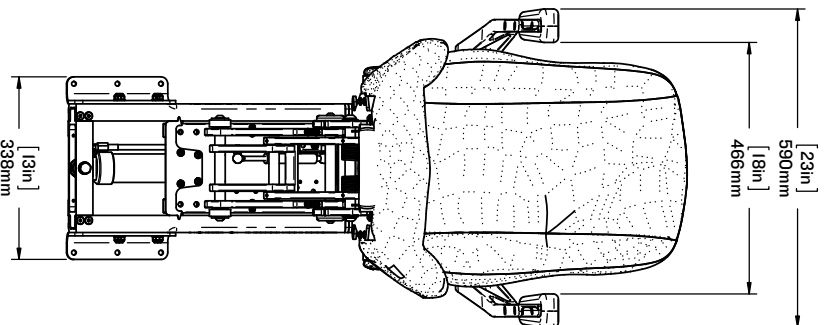
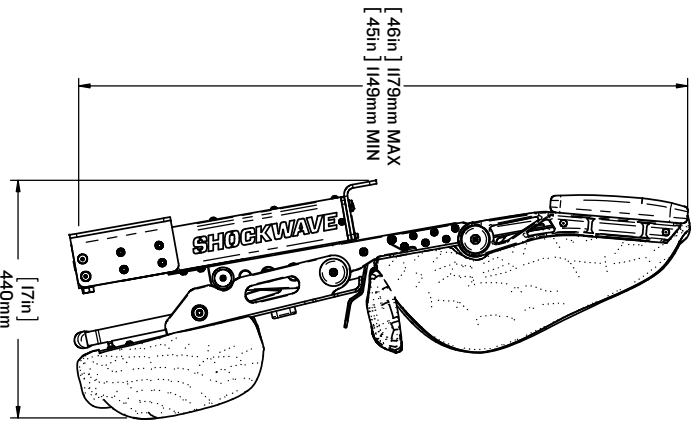
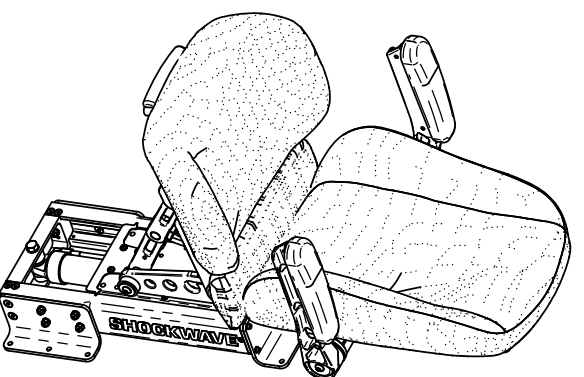
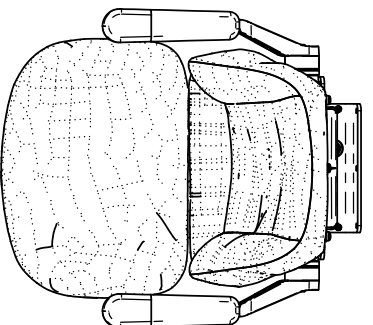
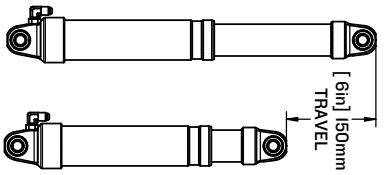


SHOCKWAVE

FOR MORE INFORMATION
 CALL US AT 250-656-6165
 OR VISIT US ONLINE AT
WWW.SHOCKWAVESEATS.COM

PROPRIETARY AND CONFIDENTIAL
 NOTICE: THIS DRAWING MAY REVEAL DESIGNS OR INFORMATION
 PROPRIETARY TO PROFESSIONAL COMPONENTS LTD. BY
 ACCEPTANCE OF REPRODUCTIONS, REQUIRMENTS AGREE
 TO PROTECT PROFESSIONAL COMPONENTS LTD RIGHTS
 IN ANY MANNER THAT IS NECESSARY TO PROTECT
 ANY PURPOSE OTHER THAN THAT FOR WHICH IT WAS ISSUED.

SW-S2-1302-BM
 S2A HIGH BACK DROP DOWN BULKHEAD MOUNT SEAT
 SCALE: 1/15 SHEET 1 OF 1 REV: 00



SHOCKWAVE

FOR MORE INFORMATION
CALL US AT 250-656-6165
OR VISIT US ONLINE AT
WWW.SHOCKWAVESEATS.COM

PROPRIETARY AND CONFIDENTIAL

NOTICE: THIS DRAWING MAY REVEAL DESIGNS OR INFORMATION PROPRIETARY TO PROFESSIONAL COMPONENTS LTD. BY ACCEPTANCE OF REPRODUCTIONS, REQUIRERS AGREE TO PROTECT PROFESSIONAL COMPONENTS LTD. RIGHTS IN ANY PURPOSE OTHER THAN THAT FOR WHICH IT WAS ISSUED.

SW-S2-1202-BM

S2A MID BACK DROP DOWN BULKHEAD MOUNT SEAT

SCALE: 1:14

SHEET 1 OF 1

REV: 00