

# SHOCKWAVE

MARINE SUSPENSION SEATING

S3

JOCKEY FOLDING  
REAR/FRONT MOUNT



SW-S3-2403-FM with SW-S3-2403-RM

Designed to maximize space, these jockey seats can be paired or used alone. Long travel seats designed for heavy duty, deck or bulkhead mounted applications where feet in suspension may be needed. Seat shown with front handrails.

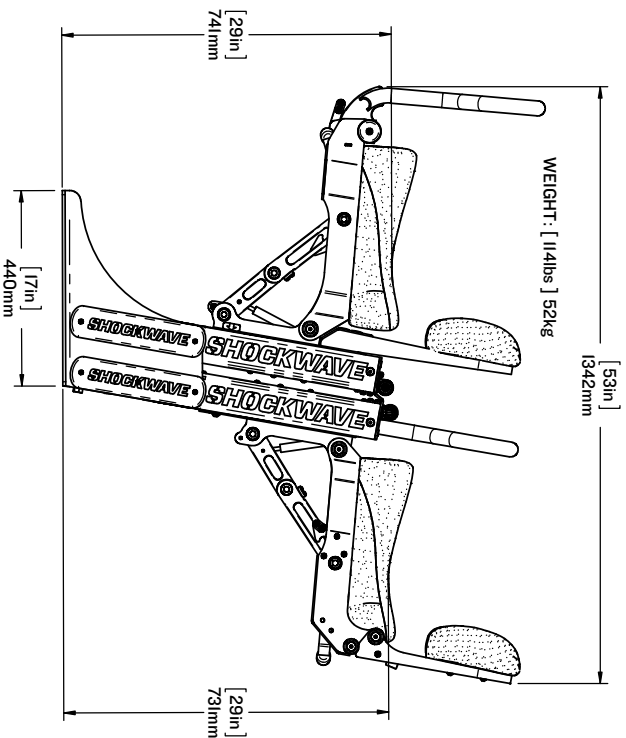
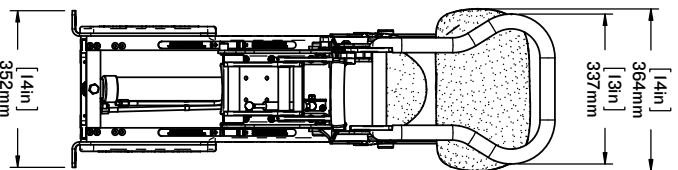
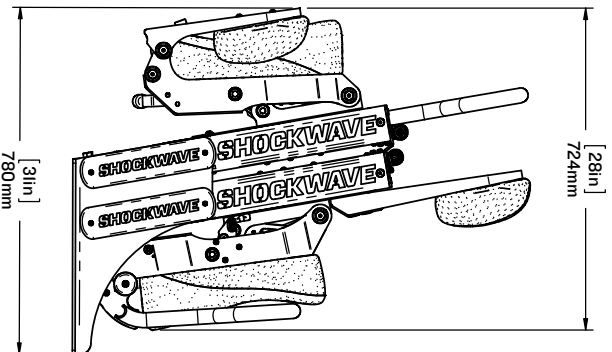
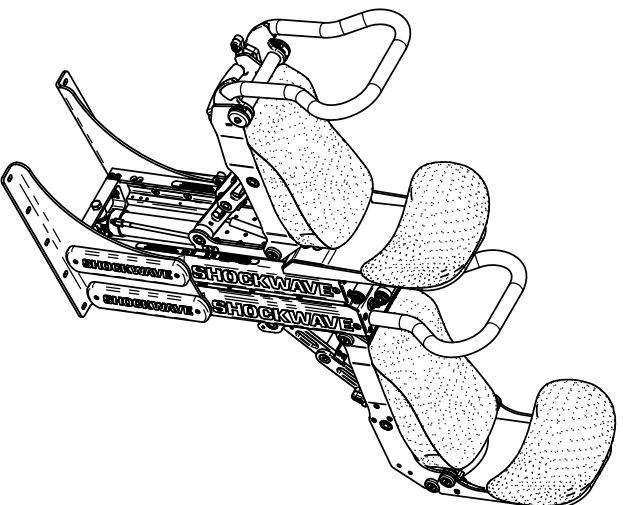
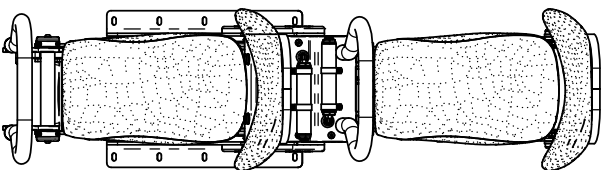
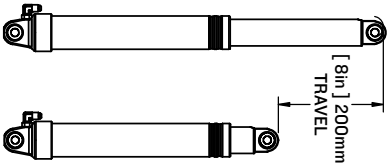
LEARN MORE ABOUT OUR PRODUCTS AT  
**SHOCKWAVESEATS.COM**

+1-778-426-8545

sales@shockwavesseats.com

PRODUCT SPECIFICATIONS

S3

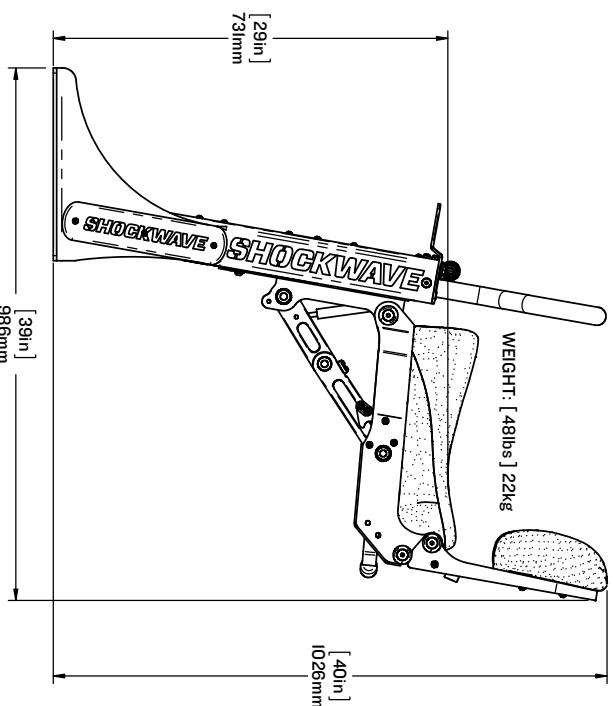
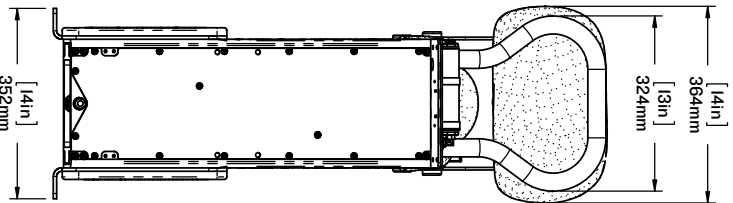
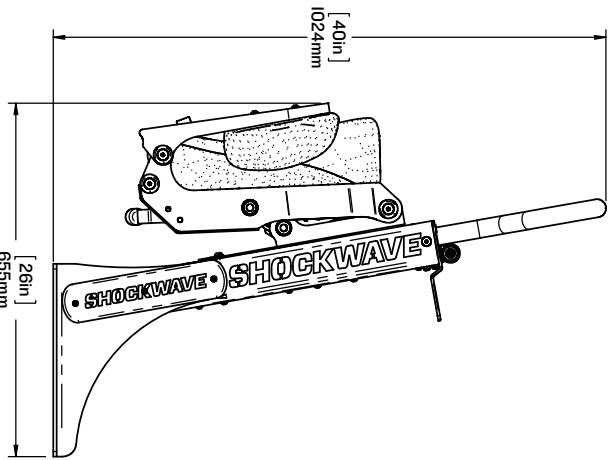
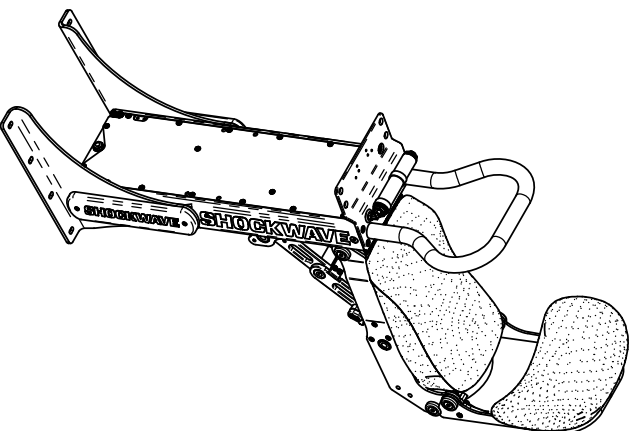
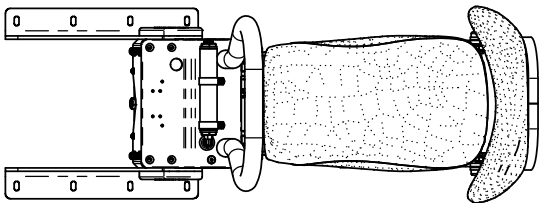
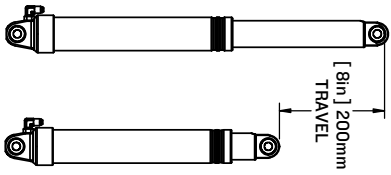


# SHOCKWAVE

FOR MORE INFORMATION  
 CALL US AT 250-656-6165  
 OR VISIT US ONLINE AT  
[WWW.SHOCKWAVESEATS.COM](http://WWW.SHOCKWAVESEATS.COM)

**PROPRIETARY AND CONFIDENTIAL**  
 NOTICE: THIS DRAWING MAY REVEAL DESIGNS OR INFORMATION  
 PROPRIETARY TO PROFESSIONAL COMPONENTS LTD. BY  
 ACCEPTANCE OF REPRODUCTIONS, REPLICENTS AGREE  
 TO PROTECT PROFESSIONAL COMPONENTS LTD RIGHTS  
 IN THIS DRAWING AND TO REFRAIN FROM REPRODUCING  
 ANY PURPOSE OTHER THAN THAT FOR WHICH IT WAS ISSUED.

**SW-S3-2403-FM with SW-S3-2403-RM**  
 S3A FRONT AND REAR FOLDING JOCKEY SEAT WITH DUAL MOUNT  
 SCALE: 1:17 SHEET 2 OF 2 REV: 00



# SHOCKWAVE

FOR MORE INFORMATION  
CALL US AT 250-656-6165  
OR VISIT US ONLINE AT  
[WWW.SHOCKWAVESEATS.COM](http://WWW.SHOCKWAVESEATS.COM)

## PROPRIETARY AND CONFIDENTIAL

NOTICE: THIS DRAWING MAY REVEAL DESIGNS OR INFORMATION PROPRIETARY TO PROFESSIONAL COMPONENTS LTD. BY ACCEPTANCE OF REPRODUCTION, REQUIRMENTS AGREE TO PROTECT PROFESSIONAL COMPONENTS LTD RIGHTS FOR ANY PURPOSE OTHER THAN THAT FOR WHICH IT WAS ISSUED.

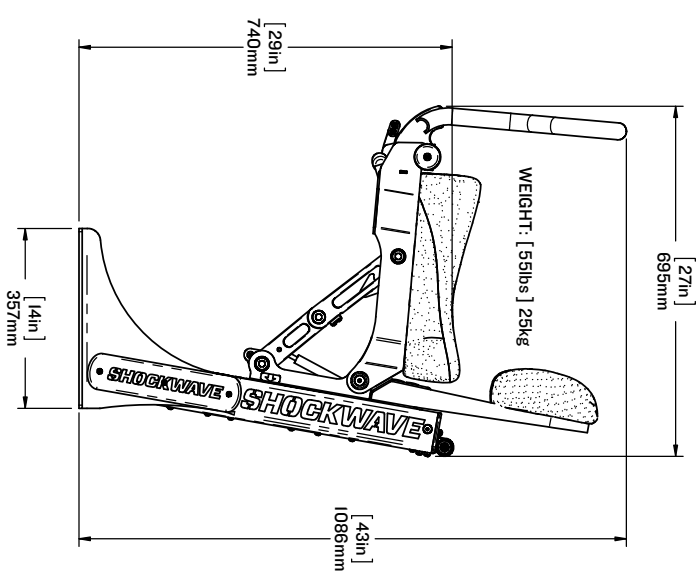
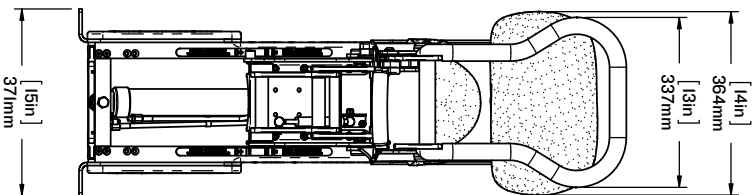
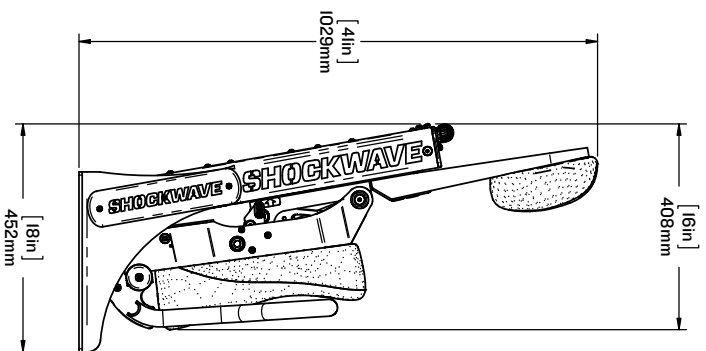
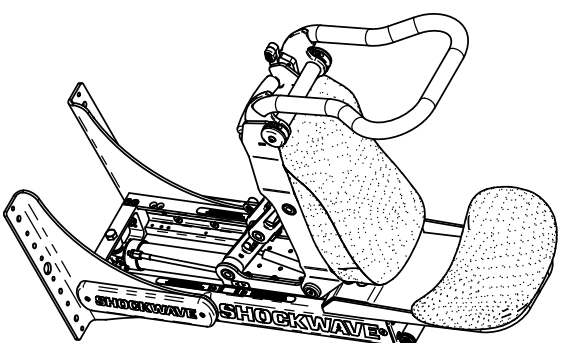
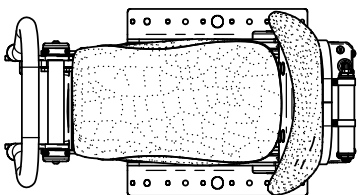
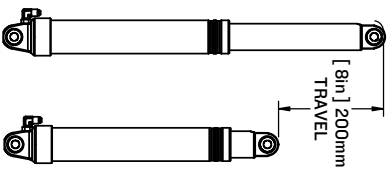
## SW-S3-2403-FM

S3A CORBIN FOLDING LOCKER SEAT - FRONT MOUNT

SCALE: 1:4

SHEET OF 2

REV: 01



# SHOCKWAVE

FOR MORE INFORMATION  
CALL US AT 250-656-6165  
OR VISIT US ONLINE AT  
[WWW.SHOCKWAVESEATS.COM](http://WWW.SHOCKWAVESEATS.COM)

**PROPRIETARY AND CONFIDENTIAL**  
NOTICE: THIS DRAWING MAY REVEAL DESIGNS OR INFORMATION PROPRIETARY TO PROFESSIONAL COMPONENTS LTD. BY ACCEPTANCE OF REPRODUCTIONS, RECIPIENTS AGREE TO PROTECT PROFESSIONAL COMPONENTS LTD. RIGHTS AND ANY PURPOSE OTHER THAN THAT FOR WHICH IT WAS ISSUED.

**SW-S3-2403-RM**  
S3A CORBIN FOLDING JOCKER SEAT - REAR MOUNT  
SCALE: 1/16  
SHEET 1 OF 1  
REV: 00