

SHOCKWAVE

MARINE SUSPENSION SEATING

S3

JOCKEY WITH STORAGE
SW-S3-2404



A popular high travel jockey seat designed for heavy duty deck mounted applications where feet in suspension may be needed. Optional under seat storage provides dry, shock mitigated protection for personal effects. This seat is shown with optional folding footrest and front handrail, as well as an optional quick release system for easy removal from deck.

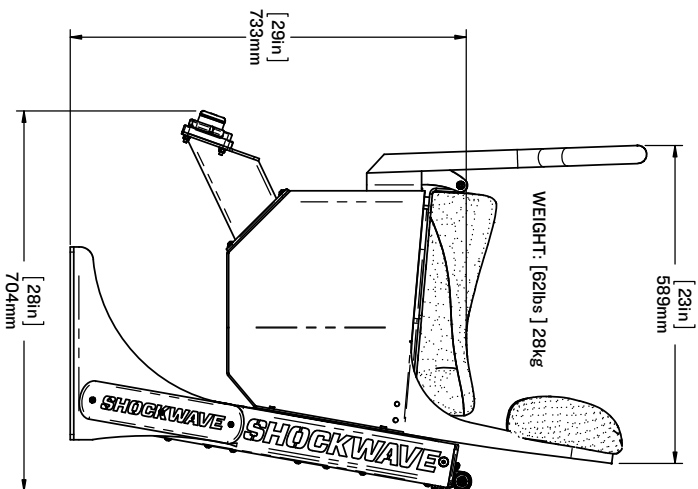
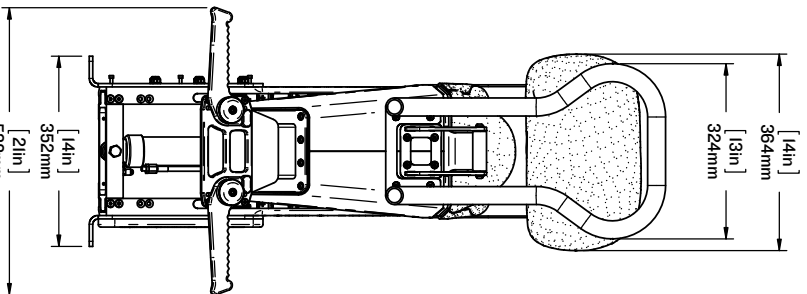
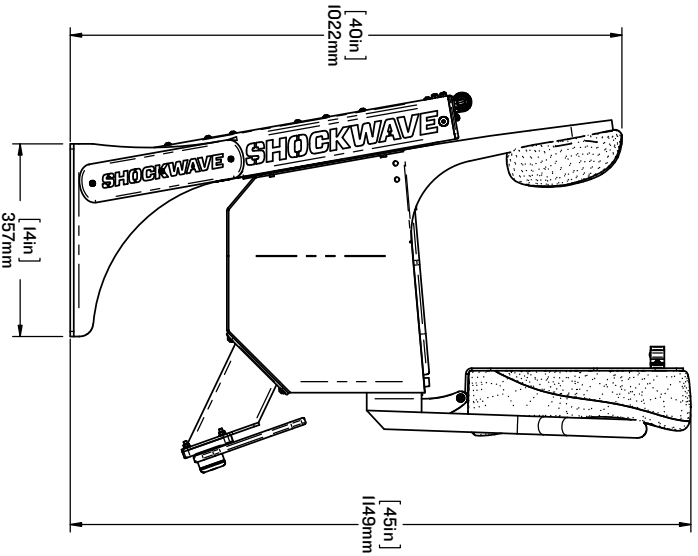
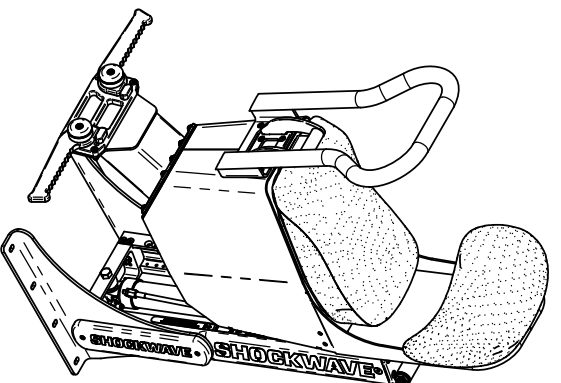
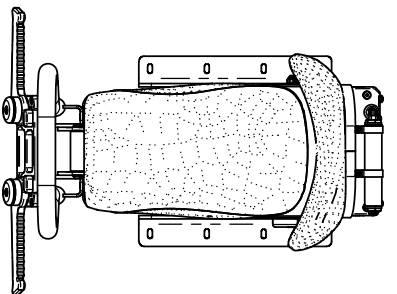
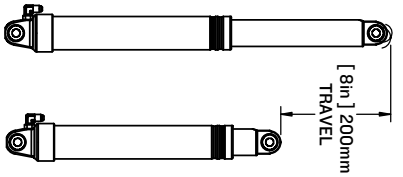
LEARN MORE ABOUT OUR PRODUCTS AT
SHOCKWAVESEATS.COM

+1-778-426-8545

sales@shockwavesseats.com

PRODUCT SPECIFICATIONS

S3



SHOCKWAVE

FOR MORE INFORMATION
CALL US AT 250-656-6165
OR VISIT US ONLINE AT
WWW.SHOCKWAVESEATS.COM

PROPRIETARY AND CONFIDENTIAL

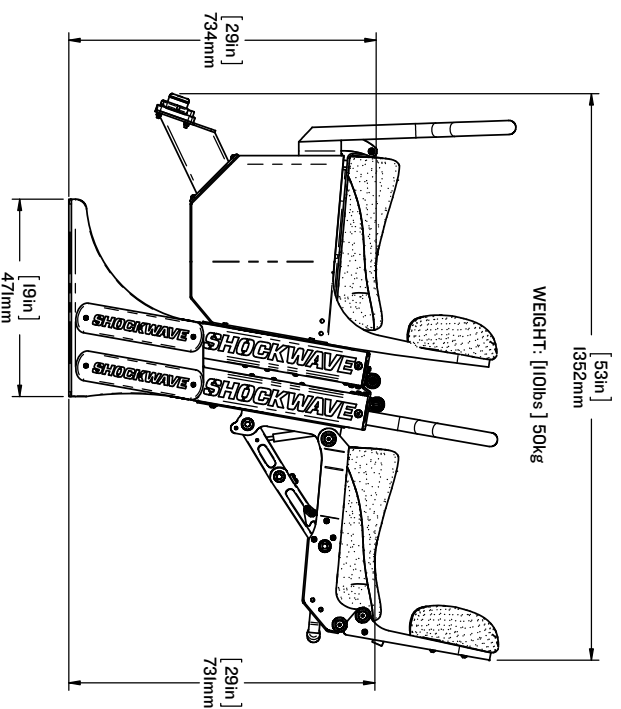
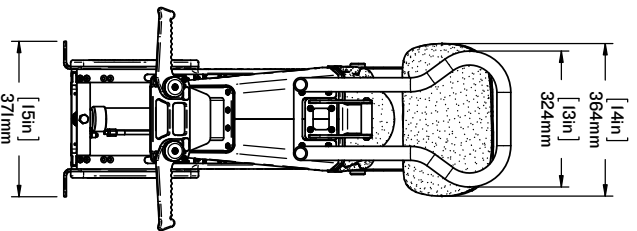
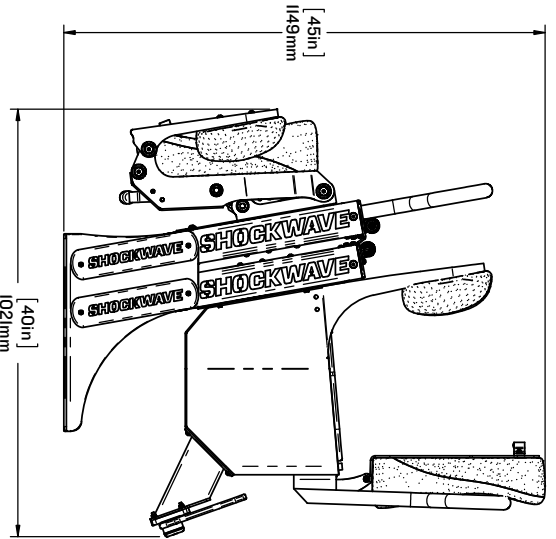
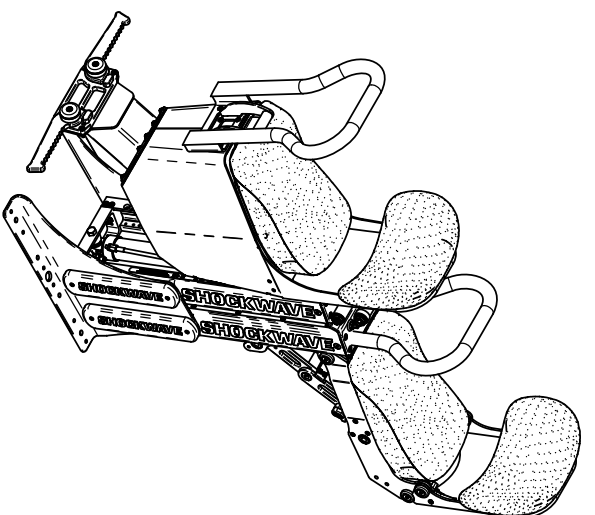
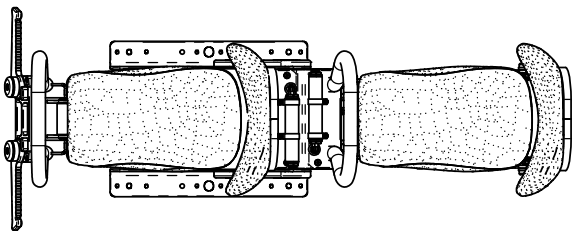
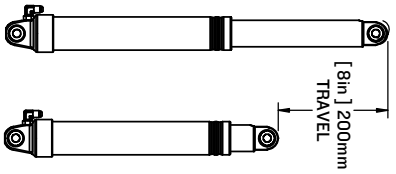
NOTICE: THIS DRAWING MAY REVEAL DESIGNS OR INFORMATION PROPRIETARY TO PROFESSIONAL COMPONENTS LTD. BY ACCEPTANCE OF REPRODUCTIONS, RECIPIENTS AGREE TO PROTECT PROFESSIONAL COMPONENTS LTD. RIGHTS IN ANY MANNER NECESSARY TO PROTECT SUCH RIGHTS. ANY PURPOSE OTHER THAN THAT FOR WHICH IT WAS ISSUED.

SCALE: 1:1

SW-S3-2404
S3A CORBIN JOYCE CONTROL POD

SHEET 1 OF 2

REV: 00



WEIGHT: [10lbs] 50kg

SHOCKWAVE

FOR MORE INFORMATION
CALL US AT 250-656-6165
OR VISIT US ONLINE AT
WWW.SHOCKWAVESEATS.COM

PROPRIETARY AND CONFIDENTIAL

NOTICE: THIS DRAWING MAY REVEAL DESIGNS OR INFORMATION PROPRIETARY TO PROFESSIONAL COMPONENTS LTD. BY ACCEPTANCE OF REPRODUCTIONS, RECIPIENTS AGREE TO PROTECT PROFESSIONAL COMPONENTS LTD. RIGHTS IN ANY MANNER AND FOR ANY PURPOSE OTHER THAN THAT FOR WHICH IT WAS ISSUED.

SW-S3-2404 with SW-S3-2403-FM
SEA COBBIN JOCKEY CONTROL POD WITH FOLDING FRONT MOUNT JOCKEY SEAT

SCALE: 1:8

SHEET 2 OF 2

REV:00