

SHOCKWAVE

MARINE SUSPENSION SEATING

S3

JOCKEY CONTROL POD
SW-S3-6404-CP



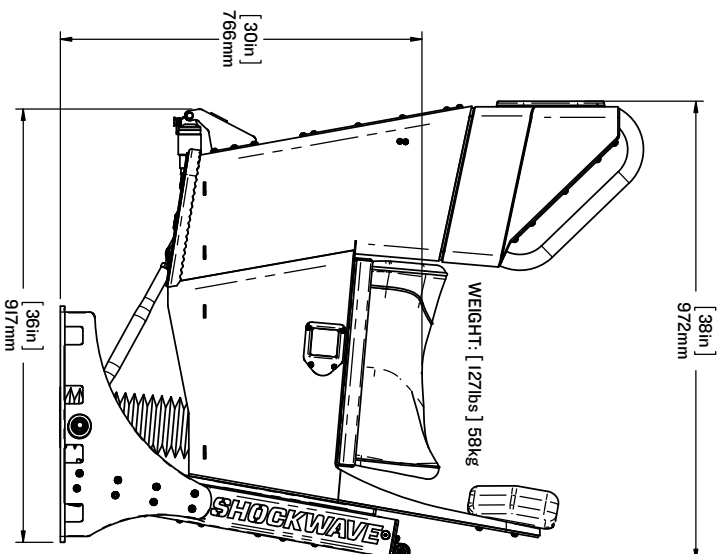
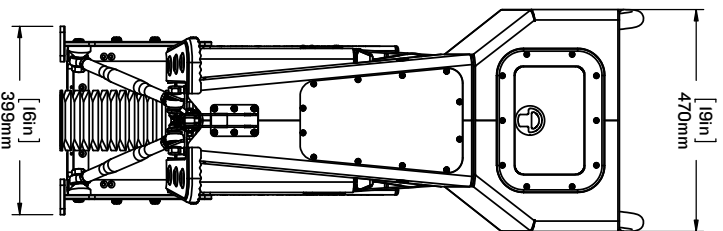
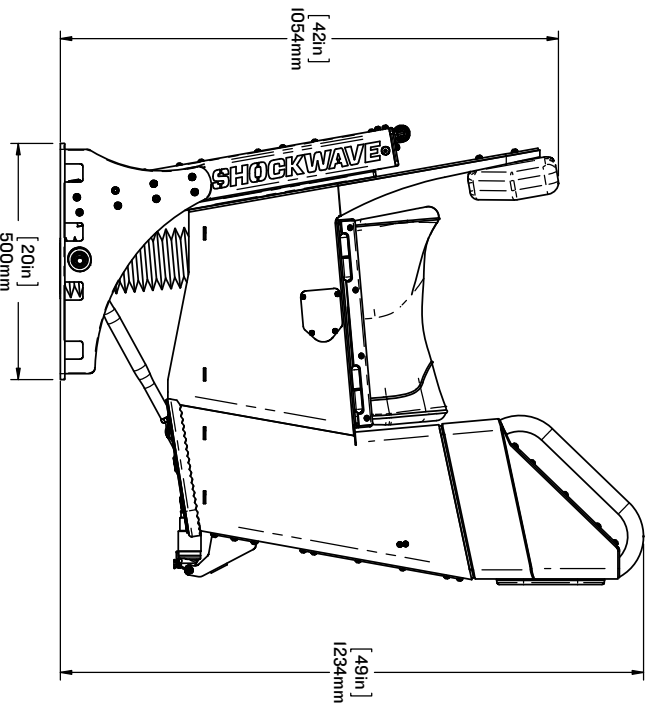
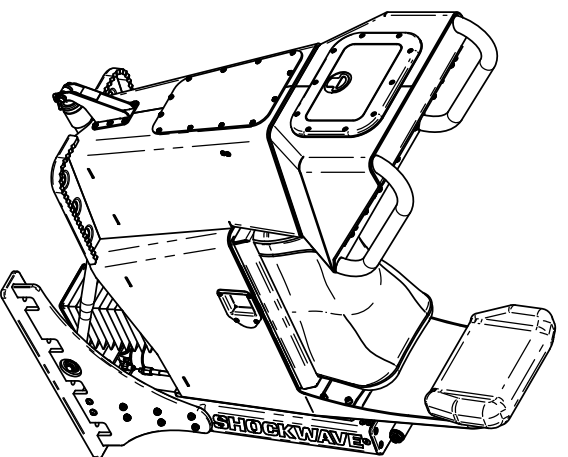
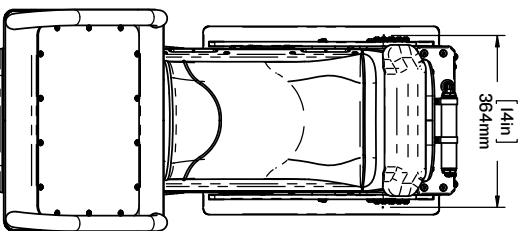
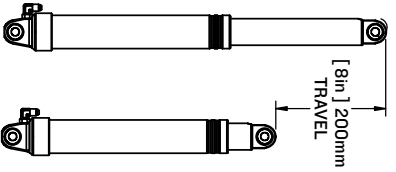
The Jockey Control Pod offers an 8-inch travel FOX Float H2O shock absorber with ACCURIDE. Our patented load stabilization second-shock system eliminates racking and allows our pods to perform perfectly with high instrument or control payload.

LEARN MORE ABOUT OUR PRODUCTS AT
SHOCKWAVESEATS.COM

+1-778-426-8545
sales@shockwavesseats.com

PRODUCT SPECIFICATIONS

S3



SHOCKWAVE

FOR MORE INFORMATION
CALL US AT 250-656-6165
OR VISIT US ONLINE AT
WWW.SHOCKWAVESEATS.COM

PROPRIETARY AND CONFIDENTIAL

NOTICE: THIS DRAWING MAY REVEAL DESIGNS OR INFORMATION PROPRIETARY TO PROFESSIONAL COMPONENTS LTD. BY ACCEPTANCE OF REPRODUCTIONS, RECIPIENTS AGREE TO PROTECT PROFESSIONAL COMPONENTS LTD. RIGHTS AND NOT TO REPRODUCE OR TRANSMIT THIS DRAWING FOR ANY PURPOSE OTHER THAN THAT FOR WHICH IT WAS ISSUED.

SW-S3-6404

S3A JOCKEY POD

SCALE: 1/8

SHEET 1 OF 1

REV: 00