

# SHOCKWAVE

MARINE SUSPENSION SEATING

**S2**

**HELM AND PASSENGER SEATS**



**S2 MID-BACK**  
SW-S2-1200



**S2 HIGH-BACK**  
SW-S2-1300

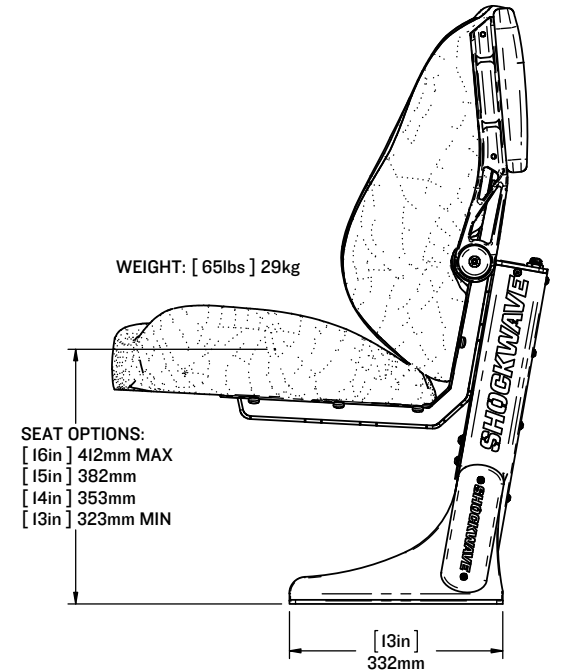
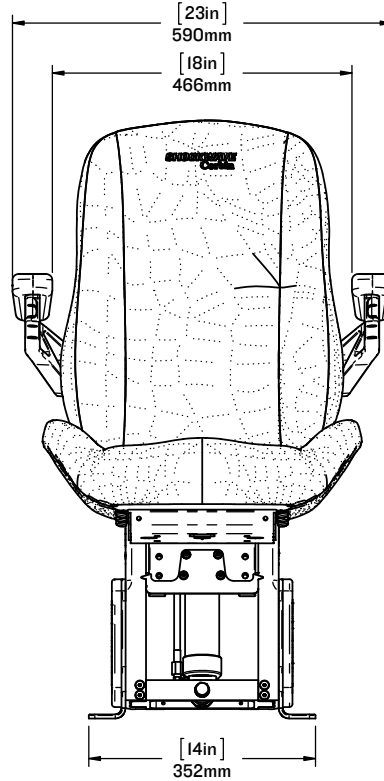
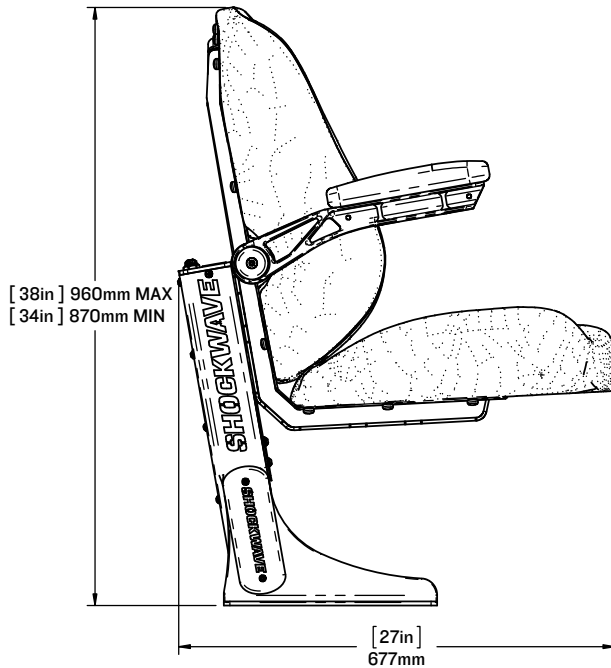
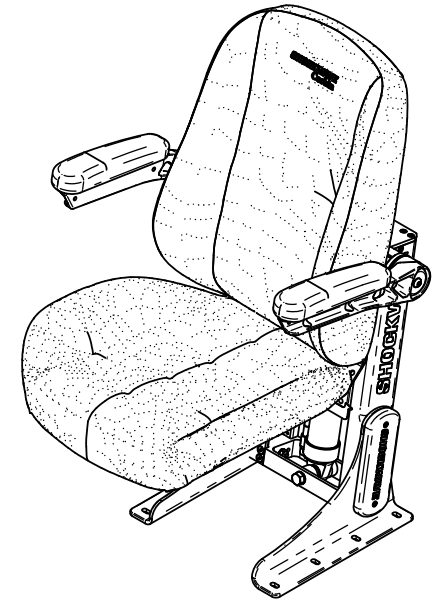
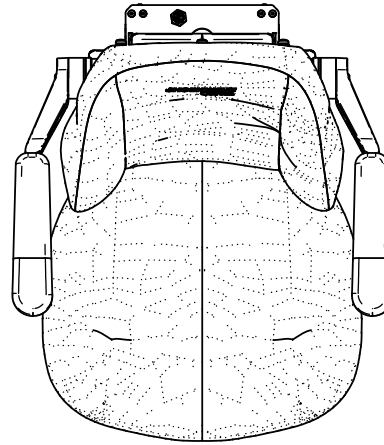
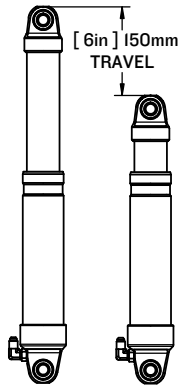
Our best selling S2 helm seat offers unparalleled ergonomics for comfort and performance. This helm seat can be mounted on a seat riser, storage box or even bulkhead mounted. Commonly used on cabin boats for moderate to heavy sea conditions.

LEARN MORE ABOUT OUR PRODUCTS AT  
**SHOCKWAVESEATS.COM**

+1-778-426-8545  
sales@shockwavesseats.com

PRODUCT SPECIFICATIONS

S2



**SHOCKWAVE**

FOR MORE INFORMATION  
CALL US AT 250-656-6165  
OR VISIT US ONLINE AT  
[WWW.SHOCKWAVESEATS.COM](http://WWW.SHOCKWAVESEATS.COM)

**PROPRIETARY AND CONFIDENTIAL**

NOTICE: THIS DRAWING MAY REVEAL DESIGNS OR INFORMATION PROPRIETARY TO PROFESSIONAL COMPONENTS LTD. BY ACCEPTANCE OF REPRODUCTIONS, RECIPIENTS AGREE TO PROTECT PROFESSIONAL COMPONENTS LTD. RIGHTS AND ARE WARNED AGAINST USE OF THE DOCUMENT FOR ANY PURPOSE OTHER THAN THAT FOR WHICH IT WAS ISSUED.

**SW-S2-1200**  
S2A CORBIN MID BACK SEAT

SCALE:1:12

SHEET 1 OF 1

REV: 00