

# SHOCKWAVE

# S6

## **S6** | ADJUSTABLE FOOTREST SW-03264



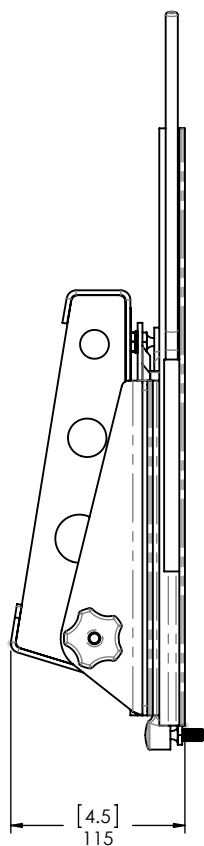
Our folding footrest bolts securely to virtually any bulkhead and provides a stable platform 17" wide. Thanks to the 6" of vertical adjustability it can accommodate almost anyone and when not in use folds conveniently out of the way. Please call Shockwave for lead-times, pricing or to place an order.

LEARN MORE ABOUT OUR PRODUCTS AT  
**SHOCKWAVESEATS.COM**

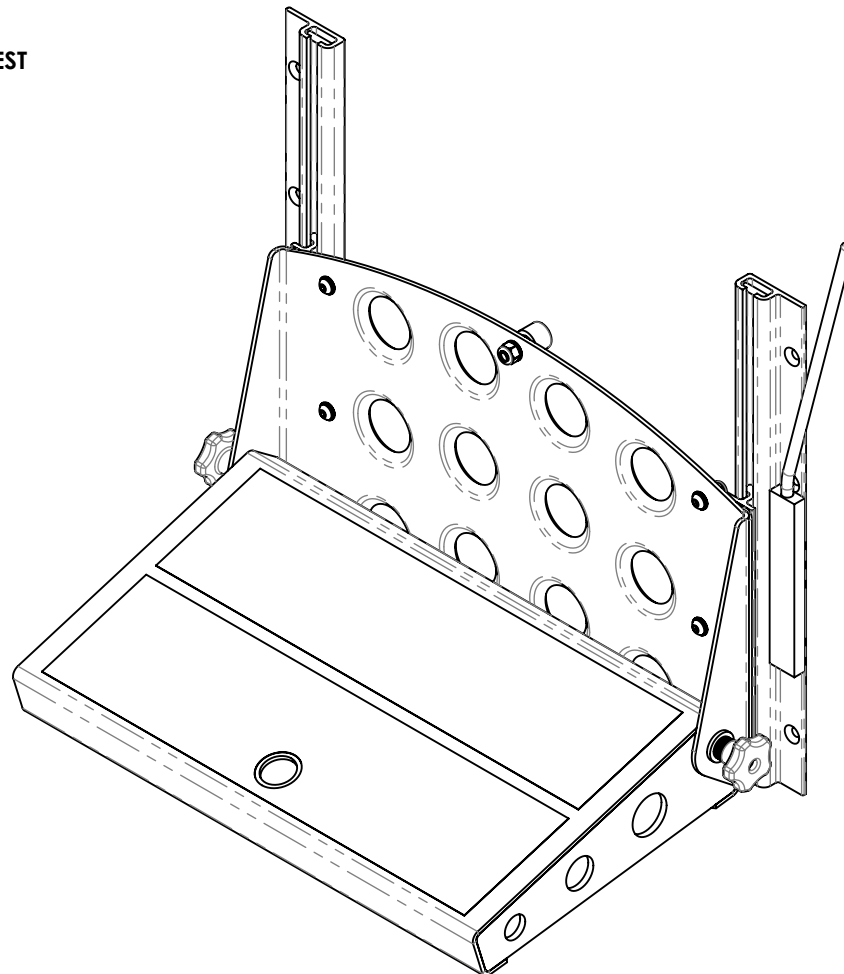
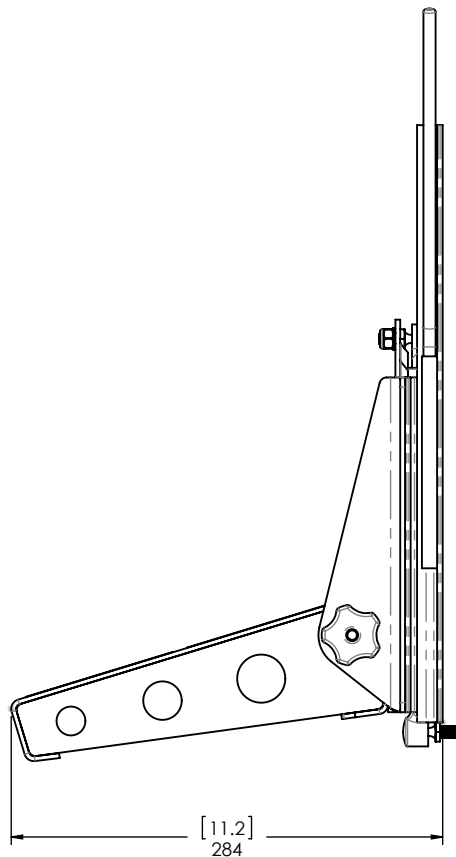
+1-778-426-8545  
sales@shockwvaseats.com

SW-03264  
 SHOCKWAVE ADJUSTABLE FOOTREST  
 (6 IN OF HEIGHT ADJUSTMENT)

STOWED



DEPLOYED



**FOR FURTHER ASSISTANCE**

PLEASE CALL US AT 250-656-6165  
 OR VISIT US ON THE WEB AT

WWW.SHOCKWAVESEATS.COM

**PROPRIETARY AND CONFIDENTIAL**

NOTICE: THIS DRAWING MAY REVEAL DESIGNS OR INFORMATION  
 PROPRIETARY TO PROFESSIONAL COMPONENTS LTD. BY  
 ACCEPTANCE OF REPRODUCTIONS, RECIPIENTS AGREE  
 TO PROTECT PROFESSIONAL COMPONENTS LTD. RIGHTS  
 AND ARE WARNED AGAINST USE OF THE DOCUMENT FOR  
 ANY PURPOSE OTHER THAN THAT FOR WHICH IT WAS ISSUED.

Adjustable Footrest - Assembly  
 Part # SW-03264

SCALE: 1:5

SHEET 2 OF 2

REV: 00