

# **SHOCKWAVE** **S5**

*MARINE SUSPENSION SEATING*



**INSTALLATION  
MANUAL**

**CORBIN2 SEAT**

*Part ID: SW-04920*



**FEEL BETTER. TRAVEL FARTHER.**

## CUSTOMER SERVICE

---

At **SHOCKWAVE**, we've proven that innovation and attention to the highest safety standards can protect boaters from the shock of wave impact. As avid boaters ourselves, we understand what our customers value most – and we create the best marine suspension seats in the world to provide a safer, more comfortable and exciting ride.

For customer inquiries and service support contact **+1.778.426.8544** or [support@shockwaveseats.com](mailto:support@shockwaveseats.com)

Serial Number:

ADDRESS	<b>2074 Henry Ave. Sidney, BC Canada V8L 5Y1</b>
WEBSITE	<b>shockwaveseats.com</b>
SALES	<b>+1.778.426.8545</b>
RECEPTION	<b>+1.250.656.6165</b>
HOURS	<b>8AM to 5PM PST</b>

## INCLUDED WITH YOUR PURCHASE - PARTS LIST:

---

- 1 – Corbin2 - Fixed Back Seat
- 4 – 5/16x1" Countersunk Cap Screw
- 4 – 5/16 Flat Washer
- 4 – 5/16 Nylock Nut
- 12 – Snap Base
- 12 – Snap Cap
- 12 – 1/4x1" Button Head Screw

## TOOLS AND MATERIALS - IMPERIAL TOOLS REQUIRED:

---

- 3/16" Allen Key
- 1/2" Wrench or Socket
- 9/64" Allen Key

## MATERIALS REQUIRED:

---

- Loctite 243 Medium Strength Thread Locker or Equivalent

# **SHOCKWAVE**

*MARINE SUSPENSION SEATING*

## **INSTALLATION MANUAL CONTENTS**

---

INSTALLATION INSTRUCTIONS OVERVIEW	4
CORBIN2 INSTALLATION INSTRUCTIONS	5
HEATED SEAT WIRING INSTRUCTIONS	8
S5 PRODUCT LINE	12
HOW TO VIDEOS	13
WARRANTY AND WARRANTY POLICY	14
JOIN THE SHOCKWAVE COMMUNITY	15



## **JOIN THE SHOCKWAVE COMMUNITY**

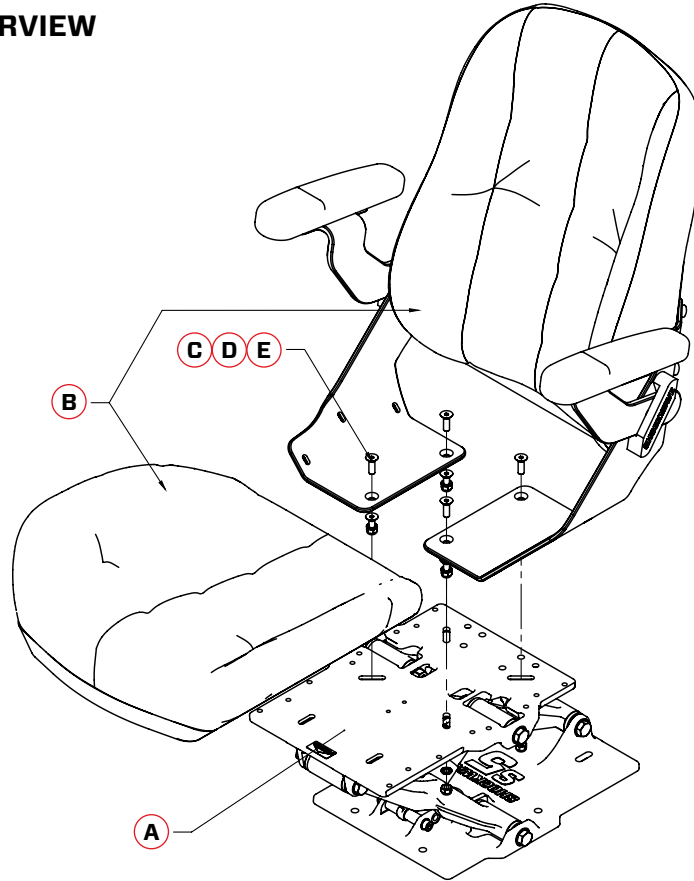
---



## INSTALLATION INSTRUCTIONS OVERVIEW

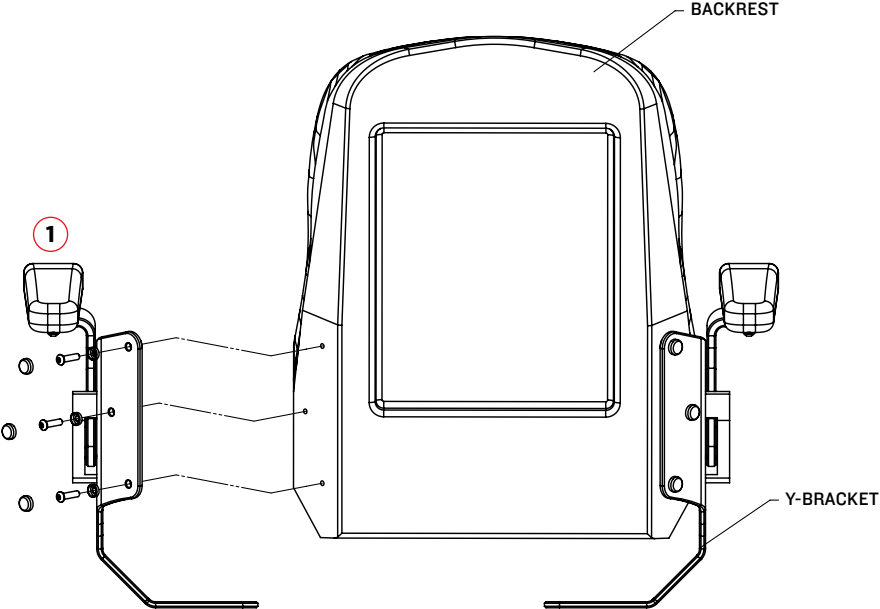
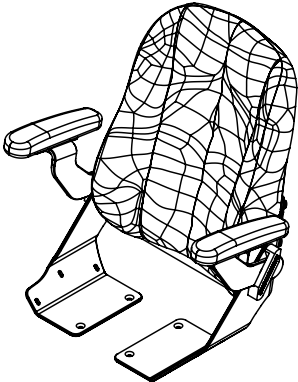
---

- A** 1 - S5 Module
- B** 1 - Corbin2 - Fixed Back Seat
- C** 4 - 5/16 x 1" Countersunk Screw
- D** 4 - 5/16 Flat Washer
- E** 4 - 5/16 Nylock Nut



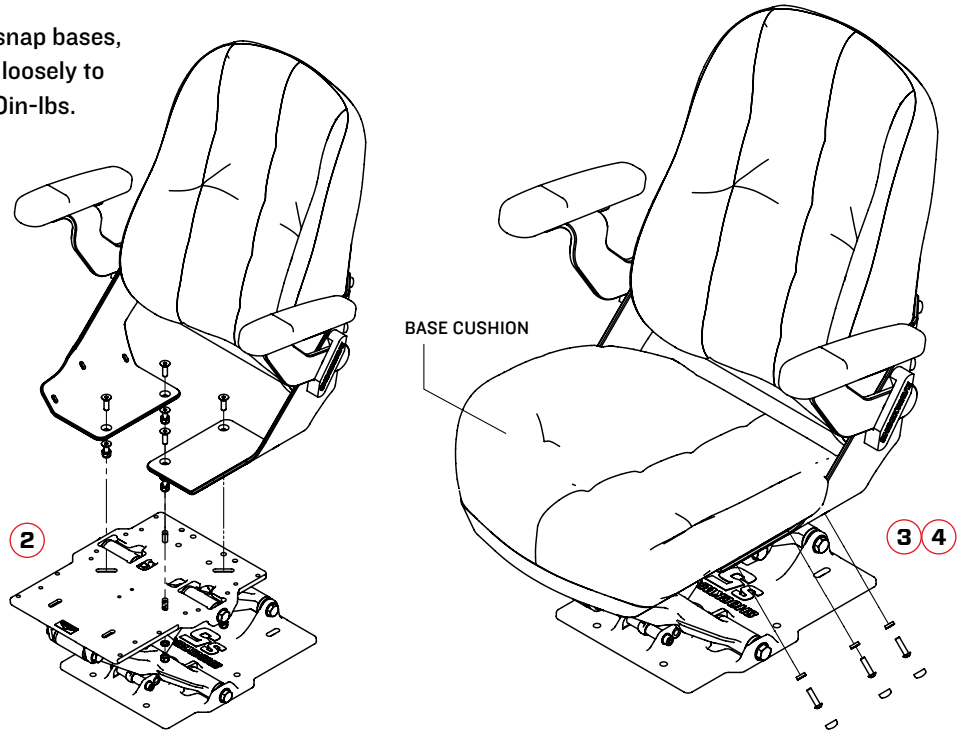
# CORBIN2 INSTALLATION INSTRUCTIONS

- 1. Pass six 1/4 x 1" fasteners through snap bases, then apply Loctite 243 and install the two Y brackets onto the backrest using the fasteners and torque to 10in-lbs.



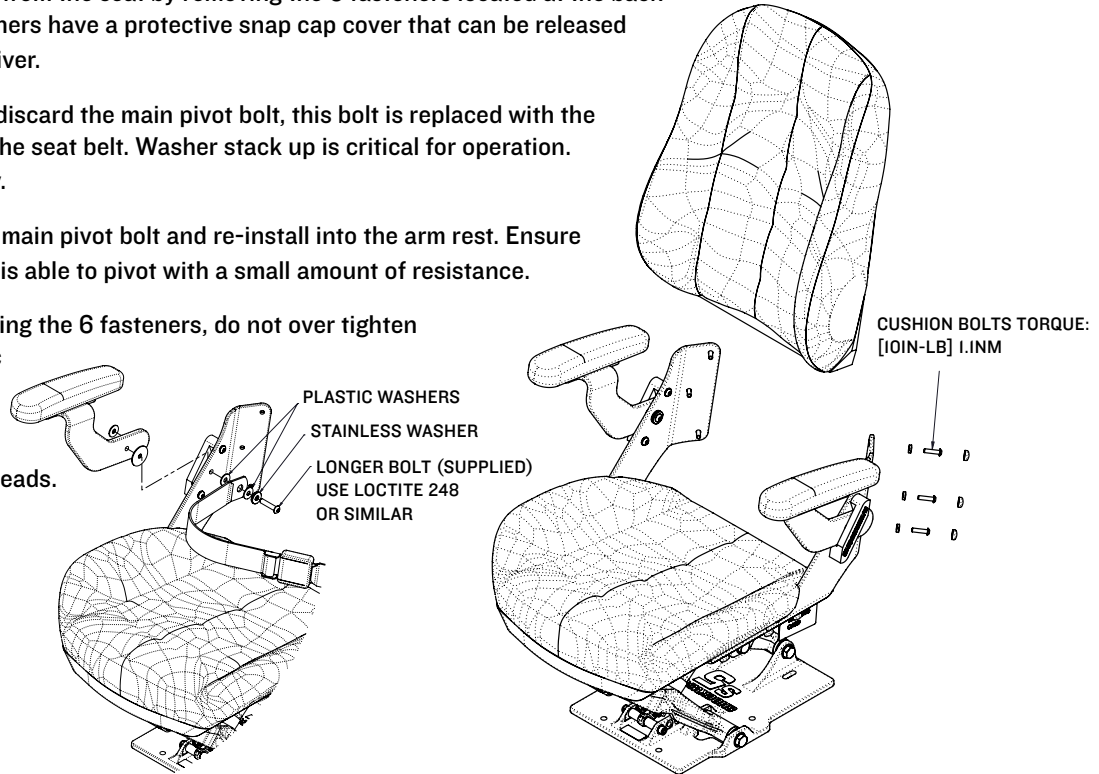
## CORBIN2 INSTALLATION INSTRUCTIONS CONTINUED

2. Bolt backrest assembly onto S5 Module with nylock nuts and flat washers using four 5/16 x 1" countersunk cap screws and torque to 9.5ft-lbs.
3. Pass six 1/4x1" fasteners through snap bases, then apply Loctite 243 and install loosely to base cushion before torquing to 10in-lbs.
4. Install snap caps.



## CORBIN2 SEAT BELT INSTRUCTIONS

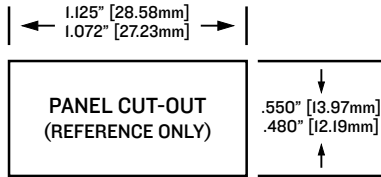
1. Disassemble the backrest from the seat by removing the 6 fasteners located at the back of the backrest. The fasteners have a protective snap cap cover that can be released using a flat head screw driver.
2. Remove the arm rest and discard the main pivot bolt, this bolt is replaced with the longer bolt supplied with the seat belt. Washer stack up is critical for operation. Follow the drawing closely.
3. Apply thread locker to the main pivot bolt and re-install into the arm rest. Ensure the arm rest and seat belt is able to pivot with a small amount of resistance.
4. Re-attach the backrest using the 6 fasteners, do not over tighten as it will distort the plastic snap cap washers.
5. Re-install the snap cap covers over the fastener heads.



## HEATED SEAT WIRING INSTRUCTIONS (SOLD SEPARATELY)

---

1. Choose the location for the seat heat switch with a panel thickness of 0.105" [2.67mm] to 0.187" [4.75mm] and cut a hole to the size shown below.



2. Locate a 12 Volt DC positive and negative source that can provide 6 amps of 12 Volts DC power.
3. Connect the two black connectors on the Seat Harness to the matching connectors on the seat cushions.
4. Route the Seat Harness to the switch location and secure the harness appropriately.



## HEATED SEAT WIRING INSTRUCTIONS CONTINUED

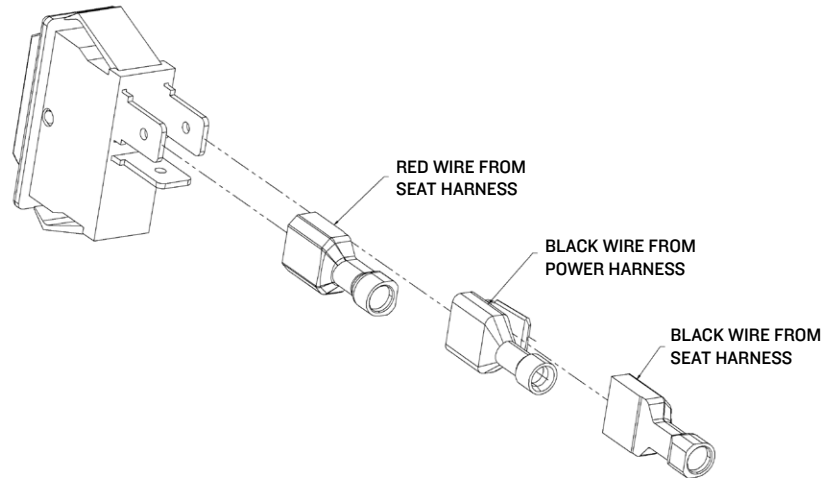
5. Route the Power Harness from the switch location to the 12 Volt DC source location and secure the Harness appropriately.



### **WARNING**

Do not connect the Power Harness to the 12 Volt DC source at this time.

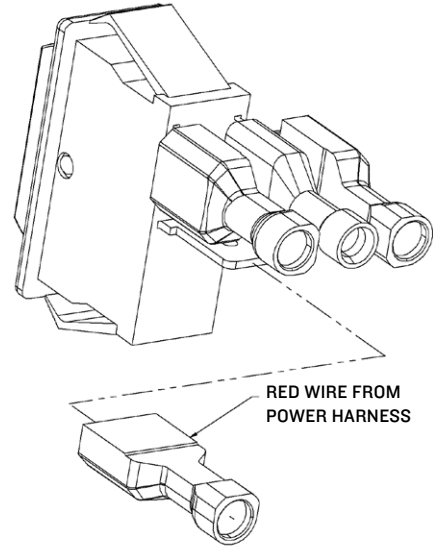
6. Connect the red # 1 wire connector from the Seat Harness to terminal # 1 on the switch.
7. Connect the black # 3 wire piggyback connector from the Power Harness to terminal # 3 on the switch.
8. Connect the black # 3 wire connector from the Seat Harness to the spare terminal on the piggyback connector installed in step # 7.



## HEATED SEAT WIRING INSTRUCTIONS CONTINUED

---

9. Connect the red wire from the Power Harness to the remaining unmarked terminal on the switch.
10. Install the switch into the hole made in step # 1.
11. Connect the black wire from the Power Harness to a 12 Volt DC negative source.



## HEATED SEAT WIRING INSTRUCTIONS CONTINUED

---

12. Connect the red wire from the Power Harness to a 12 Volt DC positive source.
13. Turn on the seat heat switch.
14. Check that the seat cushions are providing heat and that the rocker switch is illuminated.



## S5 PRODUCT LINE

---



### S5 SUSPENSION MODULE

SW-05026 (black) / SW-05026-BW (white)

The SHOCKWAVE S5 comes in a black or white finish. It is easily and quickly installed in virtually any boat and can be mounted on a riser box or pedestal with minimal effort.



### SWIVEL

SW-05592

This remarkable SHOCKWAVE S5 seat swivel offers 360-degree swivel. It locks in place in any of its 16 positions for excellent flexibility.



### SWIVEL SLIDE

SW-05488

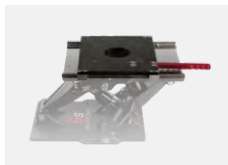
The ultimate in adjustability for your suspension module, this swivel and slide system is designed specifically for the S5 and built to the same high level of durability and corrosion resistance. The slide offers 5 inches of fore-aft travel and the 360-degree swivel locks in place in any of 16 positions for excellent flexibility.



### S5 MODULE WITH HEIGHT ADJUST

SW-05047

The SHOCKWAVE S5 height adjust system integrates seamlessly with your suspension module to provide a full 3 inches of vertical travel at the touch of a button. Built to last and made with the highest-quality components this is the perfect option for giving your S5 the ultimate in adjustability.



### SLIDE

SW-05489

The SHOCKWAVE S5 high-quality seat slide offers a full 5 inches of fore-aft travel allowing for comfortable seating options for a wide variety of occupants and uses.



### SHOCKWAVE S5 PUMP

SW-01983

The high-pressure shock pump features an integrated pressure gauge and bleed valve for simple adjustment with a maximum inflation pressure of 350 psi.

# ***HOW TO VIDEOS***

---

For complete instructions, including video tutorials of how to install your Corbin2 Seat, please visit [www.shockwaveSeats.com/howto](http://www.shockwaveSeats.com/howto), where we have a comprehensive guide for installation options.

For further instructions, please contact your Shockwave S5 dealer or email [support@shockwaveSeats.com](mailto:support@shockwaveSeats.com).



## WARRANTY AND WARRANTY POLICY

---

Shockwave Seats expressly warrants that all mechanical seat components in its MARINE AND OTHER and SUSPENSION SEATS shall be free from defects in material and workmanship for one year from the date-of-sale provided such seats are subject to normal use and receive proper maintenance. Shockwave Seats expressly warrants that the cushions and seat covers shall be free from defectively sewn seams for a period of 90 days or 750 hours of use, whichever comes first, excluding normal wear and tear. Rips, tears, abrasions and installation damages are not covered by warranty.

Your sole and exclusive remedy against Shockwave Seats arising from the purchase or use of MARINE AND OTHER and SUSPENSION SEATS is limited to repair or replacement of defective materials or defective workmanship, after verification by Shockwave Seats. Defective product or materials may be requested for return by SHOCKWAVE Seats for inspection prior to issuing any replacements. Freight charges for returns are to be covered by the user.

All warranty claims shall have prior approval from Shockwave Seats warranty department and must be accompanied by the information requested on the following Claim Form. Products will be repaired or replaced at the sole discretion of Shockwave Seats.

These warranties will become null and void if:

- The seat is abused or altered
- The seat is involved in an accident
- The seat is improperly installed
- The seat is used for other than its intended use, contrary to any of the instructions in the manual provided
- There is damage to the cushions and covers caused by cuts, burns, or abuse
- There is damage to the seat caused during installation or unpacking
- There is damage to the structural integrity as a result of the user installing unapproved accessories
- Footrests are mounted directly to seat
- Occupant weight exceed 250lbs [113kgs] for 3g deck accelerations

### WARRANTY DISCLAIMERS AND LIMITATIONS OF LIABILITY

THE ABOVE EXPRESSED WARRANTIES SHALL BE THE EXCLUSIVE WARRANTIES, AND SHOCKWAVE SEATS MAKES NO OTHER WARRANTIES, EXPRESSED OR IMPLIED. SHOCKWAVE SEATS EXPRESSLY DISCLAIMS ANY IMPLIED WARRANTIES OF MERCHANTABILITY AND IMPLIED WARRANTIES OF FITNESS FOR A PARTICULAR PURPOSE.

IT IS AGREED THAT SHOCKWAVE SEATS SHALL NOT BE LIABLE FOR INCIDENTAL OR CONSEQUENTIAL DAMAGES, including, but not limited to, loss of income, loss of use, lost profits, damage to other property, the cost of removing and reinstalling the INDUSTRIAL SEATING or SUSPENSION SEATS, attorney's fees, and any liability you may have with respect to any other person.

### TIME LIMIT ON COMMENCING LEGAL ACTION

It is agreed that you have one year from the accrual of a claim to commence any legal action arising from the purchase or use of the MARINE AND OTHER or SUSPENSION SEATS, or be barred forever. Failure to give prompt written notice within ten (10) days of the discovery of any defect in material or workmanship that occurs within the warranty period will void the warranty. Send notification to:

### SHOCKWAVE SEATS Warranty Department

Unit 2-2075 Henry Avenue West, Sidney BC Canada V8L 1T2  
Email: support@shockwaveseats.com - Phone: +1.250.656.6165

### WARRANTY CLAIM FORM MUST BE SUBMITTED

Download your Warranty Claim Form at [shockwaveseats.com/warranty](https://shockwaveseats.com/warranty)


# ***JOIN THE SHOCKWAVE COMMUNITY***



---

 [@SHOCKWAVESEATS](https://www.facebook.com/shockwaveSeats)

 [@SHOCKWAVESEATS](https://www.instagram.com/shockwaveSeats)

 [youtube.com/shockwaveSeats](https://www.youtube.com/shockwaveSeats)

# ***SHOCKWAVE***

*MARINE SUSPENSION SEATING*