

# SHOCKWAVE

SHOCKWAVE S5  
**SENTINEL**

## SHOCKWAVE S5 **SENTINEL** | SUSPENSION MODULE

SW-07823-B | SW-07823-W



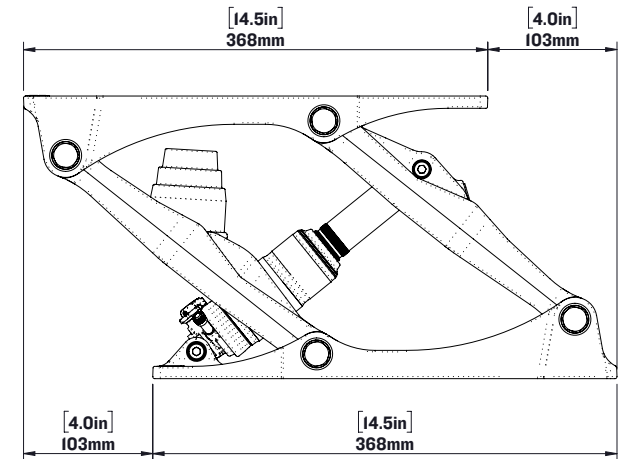
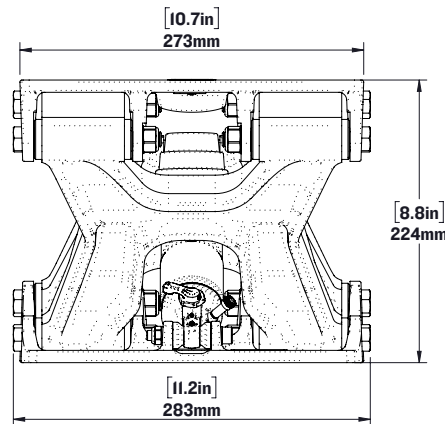
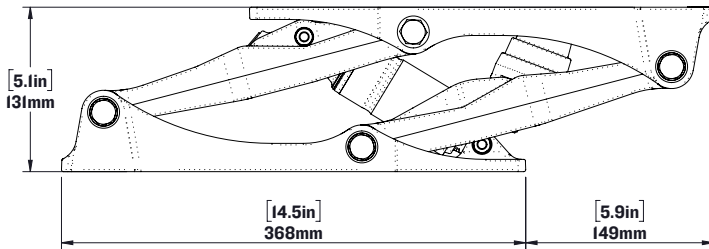
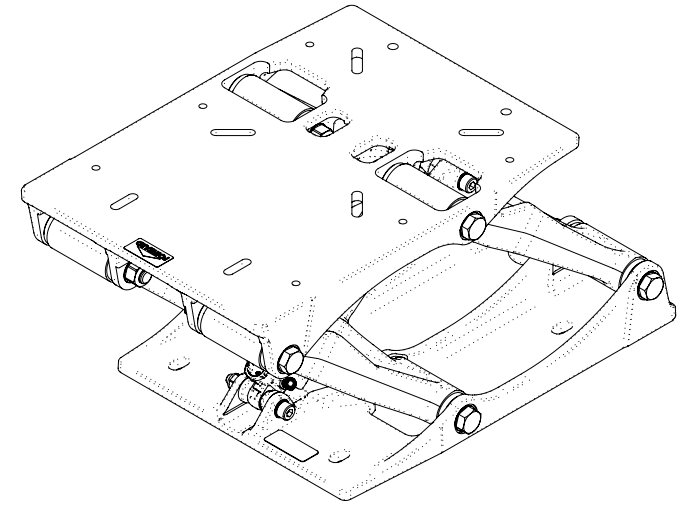
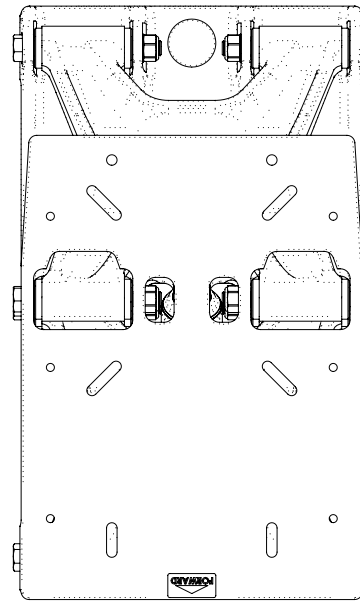
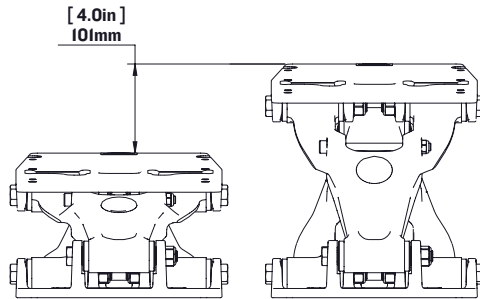
**TRAVEL**  
**4 IN**

The SHOCKWAVE S5 Sentinel provides comfort and safety to boaters, offering them an experience they've never had before. It offers a smoother, safer and more comfortable ride, protecting occupants from the shock of wave impact. Recreational boaters can stay out longer and travel farther with less fatigue.

- ✓ Easy to install
- ✓ Can be paired with almost any seat
- ✓ Designed and manufactured in Canada

LEARN MORE ABOUT OUR PRODUCTS AT  
**SHOCKWAVESEATS.COM**

+1-778-426-8545  
sales@shockwavesseats.com



NOTE:  
OCCUPIED SEAT HEIGHT WILL BE [1.0in] 25mm LOWER THAN LISTED DIMENSION

**SHOCKWAVE**

FOR MORE INFORMATION  
CALL US AT 1-778-426-8545  
OR VISIT US ONLINE AT  
[WWW.SHOCKWAVESEATS.COM](http://WWW.SHOCKWAVESEATS.COM)

**PROPRIETARY AND CONFIDENTIAL**

NOTICE: THIS DRAWING MAY REVEAL DESIGNS OR INFORMATION PROPRIETARY TO PROFESSIONAL COMPONENTS LTD. BY ACCEPTANCE OF REPRODUCTIONS, RECIPIENTS AGREE TO PROTECT PROFESSIONAL COMPONENTS LTD. RIGHTS AND ARE WARNED AGAINST USE OF THE DOCUMENT FOR ANY PURPOSE OTHER THAN THAT FOR WHICH IT WAS ISSUED.

**SW-07823**  
S5 Sentinel Module

WEIGHT: [27.5 lbs] 12.5 kg

SCALE:1:24

SHEET 1 OF 1

REV: 00