

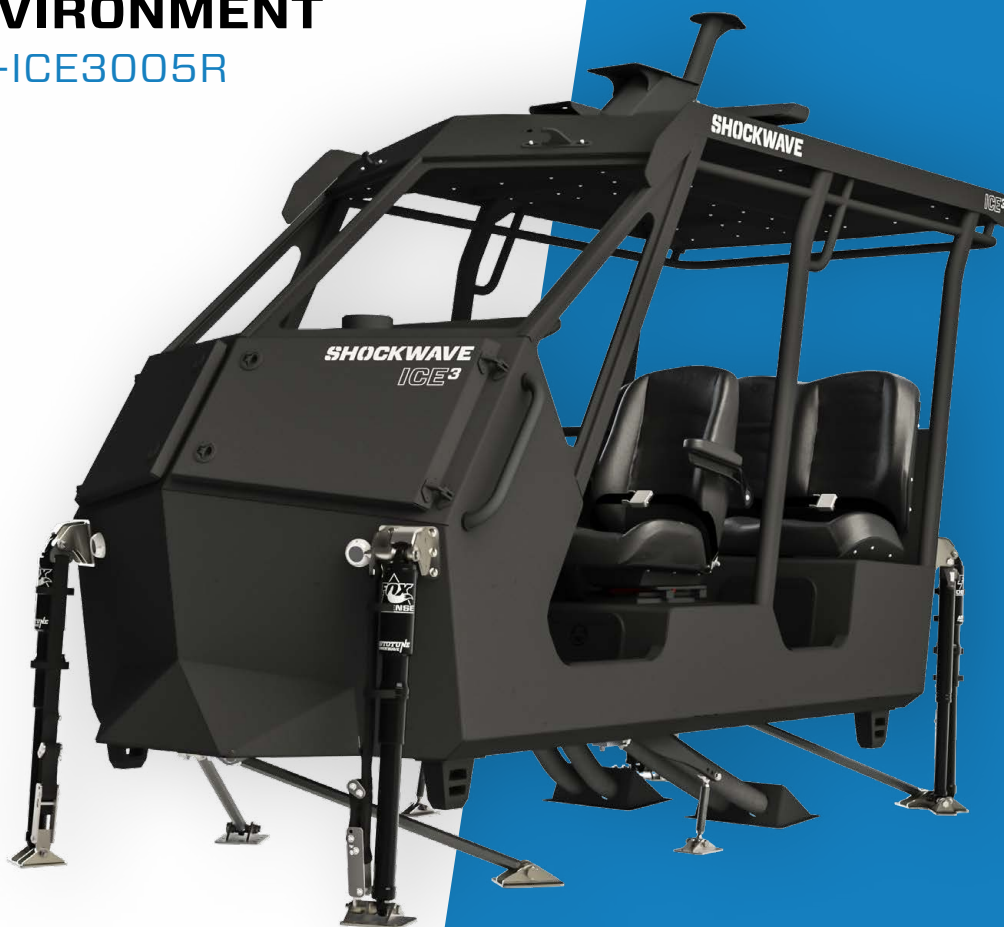
# SHOCKWAVE

# ICE

## ICE<sup>3</sup>

INTEGRATED CONTROL  
ENVIRONMENT

SW-ICE3005R



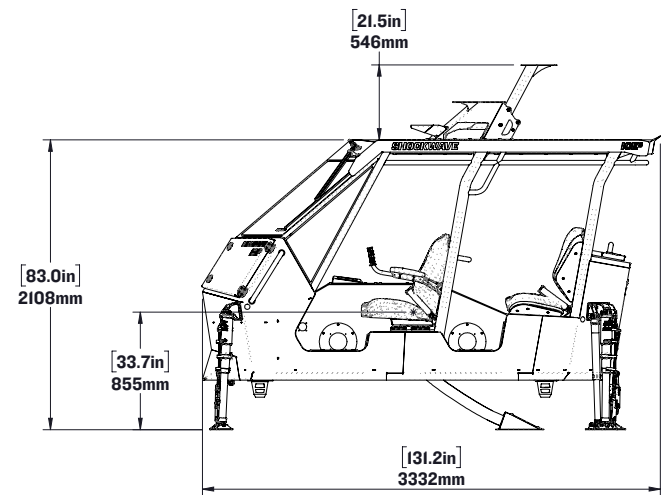
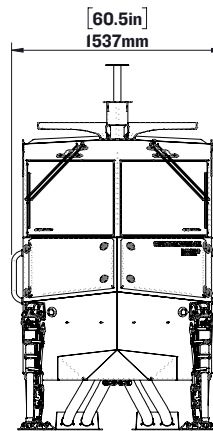
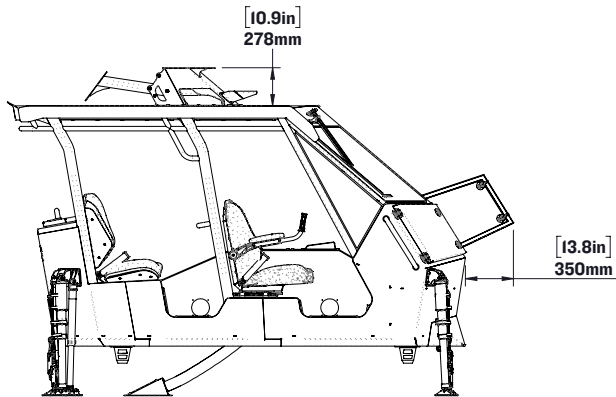
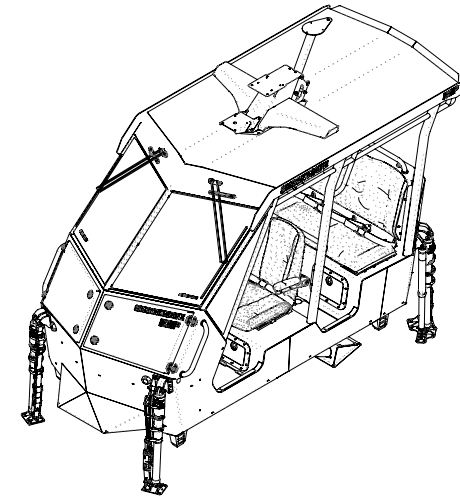
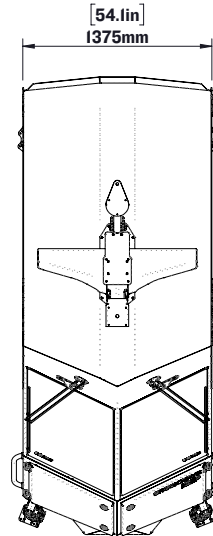
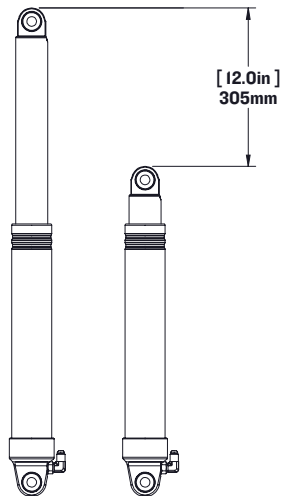
TRAVEL  
12" IN

### ICE3 FIVE-PERSON

The SHOCKWAVE ICE3 is a unique suspension console ideal for high speeds and critical missions. Patented, triple-axis suspension protecting occupants from all directions, 12-inch FOX Float H2O racing shock absorbers and AUTOTUNE functionality for making adjustments while travelling at high speeds. The ICE3 is a versatile marine suspension console that incorporates military-grade design and components. The ICE3 comes with a roof to protect occupants from weather, but can also be delivered without a roof.

LEARN MORE ABOUT OUR PRODUCTS AT  
**SHOCKWAVESEATS.COM**

+1-778-426-8545  
sales@shockwavesseats.com



NOTE:  
OCCUPIED HEIGHT WILL BE [2.25in] 57mm LOWER THAN LISTED DIMENSION  
US PATENT NO. 9,422,039

**SHOCKWAVE**

FOR MORE INFORMATION  
CALL US AT 1-778-426-8545  
OR VISIT US ONLINE AT  
[WWW.SHOCKWAVESEATS.COM](http://WWW.SHOCKWAVESEATS.COM)

**PROPRIETARY AND CONFIDENTIAL**

NOTICE: THIS DRAWING MAY REVEAL DESIGNS OR INFORMATION PROPRIETARY TO PROFESSIONAL COMPONENTS LTD. BY ACCEPTANCE OF REPRODUCTIONS, RECIPIENTS AGREE TO PROTECT PROFESSIONAL COMPONENTS LTD. RIGHTS AND ARE WARNED AGAINST USE OF THE DOCUMENT FOR ANY PURPOSE OTHER THAN THAT FOR WHICH IT WAS ISSUED.

**SW-ICE3005R**

ICE3 5 MAN

WEIGHT: [1315 lbs] 596 kg

SCALE:1:55

SHEET 1 OF 1

REV: