

# SHOCKWAVE

# ICE

## ICE<sup>5</sup>

### INTEGRATED CONTROL ENVIRONMENT

SW-ICE5002



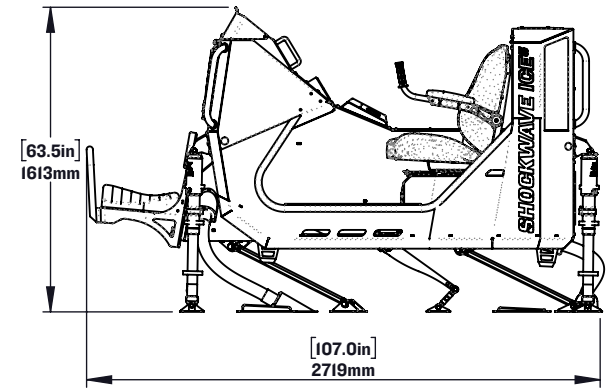
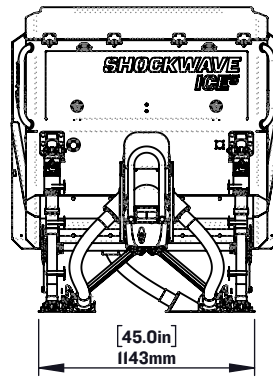
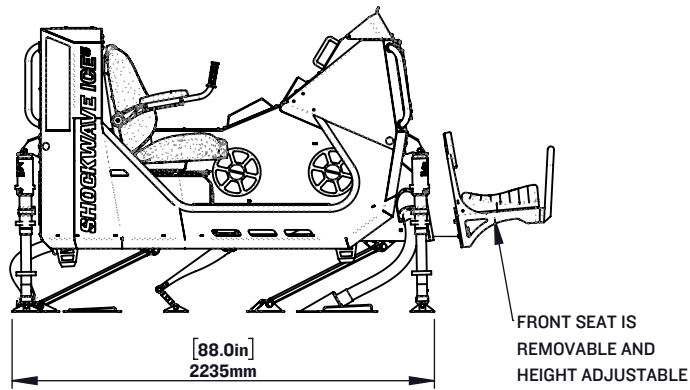
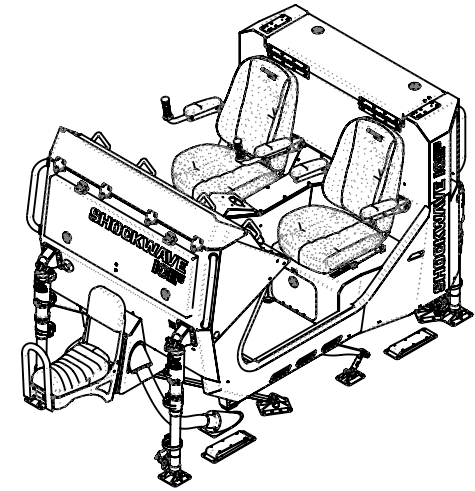
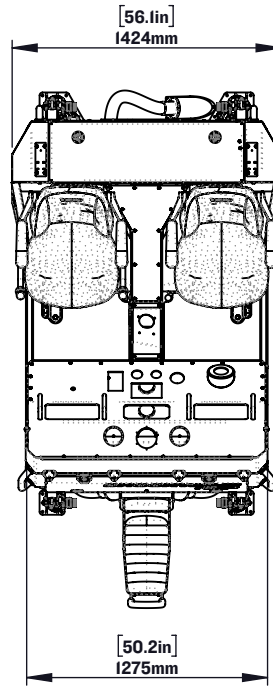
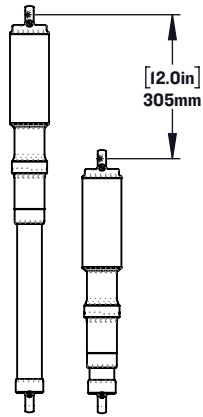
TRAVEL  
12" IN

### ICE5 TWO-PERSON

SHOCKWAVE's new ICE5 Console is designed to provide the ultimate in shock mitigation to elite military organizations around the globe. The ICE5 is a patented product, specifically designed for tactical multi-mission operations. It offers a 3-axis suspended cockpit that enables the crew to operate and monitor vessel systems throughout the vessel's full range of operating parameters. In addition to providing comfort and protection to the crew, the ICE5 also protects sensitive electronics from wave impact when operating at high speeds in heavy seas.

LEARN MORE ABOUT OUR PRODUCTS AT  
**SHOCKWAVESEATS.COM**

+1-778-426-8545  
sales@shockwaveSeats.com



**SHOCKWAVE**

FOR MORE INFORMATION  
CALL US AT 1-778-426-8545  
OR VISIT US ONLINE AT  
[WWW.SHOCKWAVESEATS.COM](http://WWW.SHOCKWAVESEATS.COM)

**PROPRIETARY AND CONFIDENTIAL**

NOTICE: THIS DRAWING MAY REVEAL DESIGNS OR INFORMATION PROPRIETARY TO PROFESSIONAL COMPONENTS LTD. BY ACCEPTANCE OF REPRODUCTIONS, RECIPIENTS AGREE TO PROTECT PROFESSIONAL COMPONENTS LTD. RIGHTS AND ARE WARNED AGAINST USE OF THE DOCUMENT FOR ANY PURPOSE OTHER THAN THAT FOR WHICH IT WAS ISSUED.

**ICE5**

ICE5 2-Man with Windshield

WEIGHT: [870 lbs] 394 kg

SCALE:1:40

SHEET 1 OF 1

REV: 00