

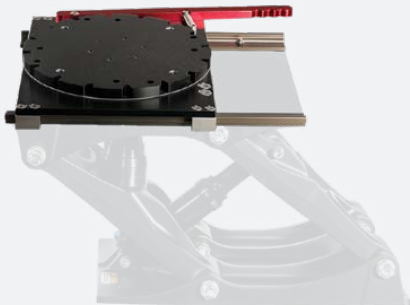
USER MANUAL

SHOCKWAVE

MARINE SUSPENSION SEATING

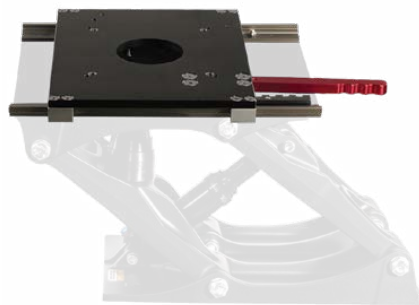
SWIVEL

SW-05592



SLIDE

SW-05489



SWIVEL SLIDE

SW-05488



FEEL BETTER. TRAVEL FARTHER.

CUSTOMER SERVICE

At **SHOCKWAVE**, we've proven that innovation and attention to the highest safety standards can protect boaters from the shock of wave impact. As avid boaters ourselves, we understand what our customers value most – and we create the best marine suspension seats in the world to provide a safer, more comfortable and exciting ride.

For customer inquiries and service support contact **+1.778.426.8544** or support@shockwaveseats.com

Serial Number:

ADDRESS **2074 Henry Ave. Sidney, BC
Canada V8L 5Y1**

WEBSITE **shockwaveseats.com**

SALES **+1.778.426.8545**

RECEPTION **+1.250.656.6165**

HOURS **8AM to 5PM PST**

ACCESSORIES PARTS LIST:

SWIVEL (SW-05592)

- 1x SW-05675 - Swivel Shield
- 1x SW-06275 - Commander Fastener Kit Swivel
- 1x SW-06350 - Seat Swivel with Integrated Lock
- 8x M6 X 30mm - Button Head Cap Screws
- 8x WASHERS 6mm

SLIDE (SW-05489)

- 1x SW-05646 - Commander Fastener Kit Slide
- 4x M6 X 25mm - Button Head Cap Screws
- 2x M6 X 30mm - Button Head Cap Screws
- 2x M6 X 25mm - Flat Head Cap Screws
- 6x Washers 6mm
- 4x M6 Nut Nylock
- 1x SW-05493 - Lock Rack
- 2x SW-05492 - Square Rails
- 1x SW-05491 - Square Linear Bearing
- 1x Main Assembly

SWIVEL SLIDE (SW-05488)

- 1x SW-05675 - Swivel Shield
- 1x SW-06275 - Commander Fastener Kit Swivel
- 4x M6 X 25mm - Button Head Cap Screws
- 2x M6 X 30mm - Button Head Cap Screws
- 2x M6 X 25mm - Flat Head Cap Screws
- 6x Washers 6mm
- 4x M6 Nut Nylock
- 1x SW-05493 - Lock Rack
- 2x SW-05492 - Square Rails
- 1x SW-05491 - Square Linear Bearing
- 1x Main Assembly

REQUIRED TOOLS AND MATERIALS

- 4mm Allen Key
- 10mm wrench or socket
- Torque wrench (only if available)
- Loctite 243 Medium Strength Thread Locker or Equivalent

TORQUE TABLE:

FASTENER	TORQUE
M6x25mm	8Nm [70in-lbs]
M6x30mm	8Nm [70in-lbs]

SHOCKWAVE

MARINE SUSPENSION SEATING

INSTALLATION MANUAL CONTENTS

SLIDE (SW-05489) INSTALLATION INSTRUCTIONS	4
SWIVEL SLIDE (SW-05488) INSTALLATION INSTRUCTIONS	4
SWIVEL (SW-05592) INSTALLATION INSTRUCTIONS	10
HOW TO VIDEOS	11
RECREATIONAL PRODUCT LINEUP	12
WARRANTY AND WARRANTY POLICY	14
JOIN THE SHOCKWAVE COMMUNITY	15

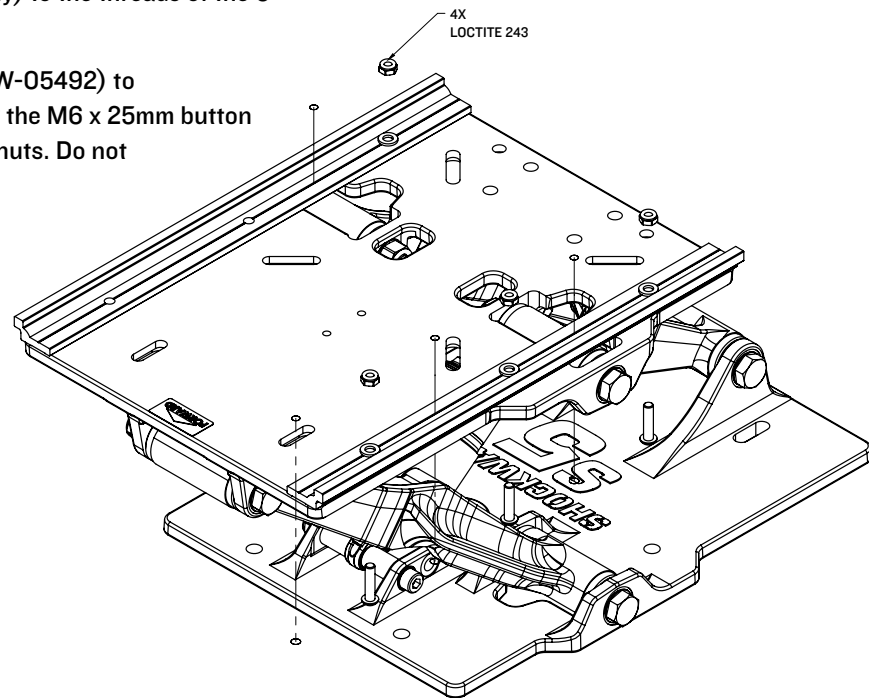
NOTE: The diagrams in this manual show the SW-05488 Swivel Slide. Installation of the SW-05489 Slide is identical.

JOIN THE SHOCKWAVE COMMUNITY



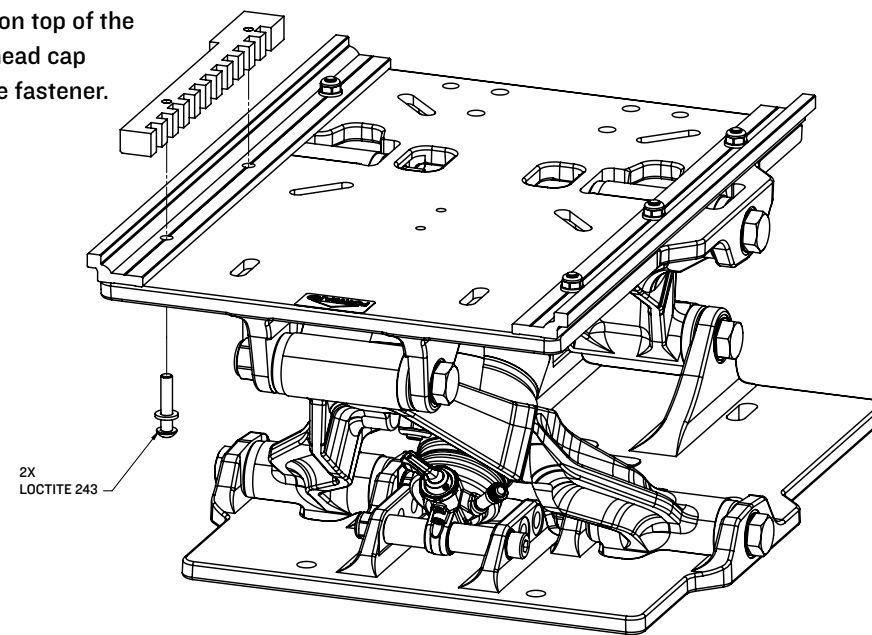
SLIDE (SW-05489) & SWIVEL SLIDE (SW-05488) INSTALLATION INSTRUCTIONS

1. Apply Loctite 243 (purchased separately) to the threads of the 6 fasteners provided.
2. Loosely install the two Square Rails (SW-05492) to the top of the suspension module using the M6 x 25mm button head cap screws, washers, and nylock nuts. Do not fully tighten the fasteners at this time.



SLIDE (SW-05489) & SWIVEL SLIDE (SW-05488) INSTALLATION INSTRUCTIONS CONTINUED

3. Loosely install the Lock Rack (SW-05493) on top of the starboard rail using the M6x30mm button head cap screws and washers. Do not fully tighten the fastener.

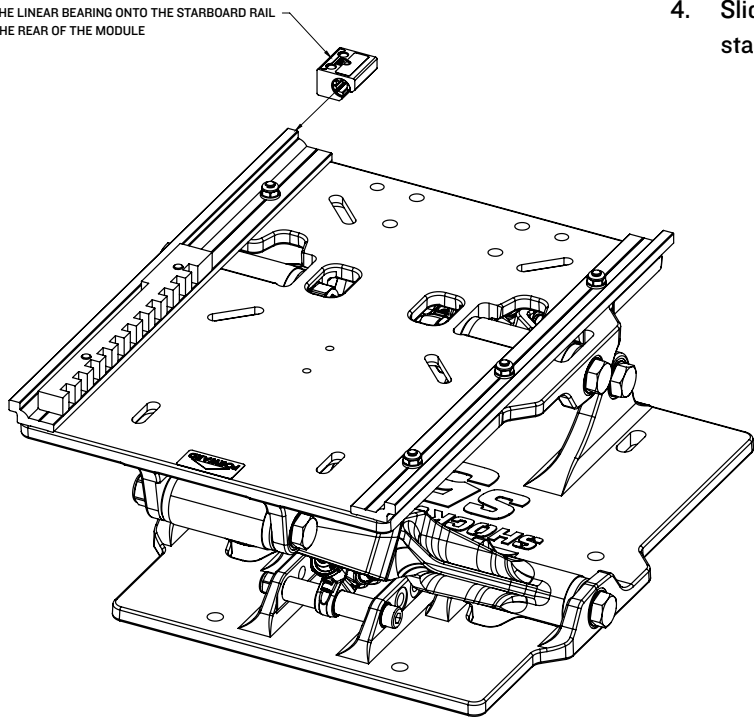


IMPORTANT

If your module is equipped with height adjust, use M6x25mm button head cap screws and washers.

SLIDE (SW-05489) & SWIVEL SLIDE (SW-05488) INSTALLATION INSTRUCTIONS CONTINUED

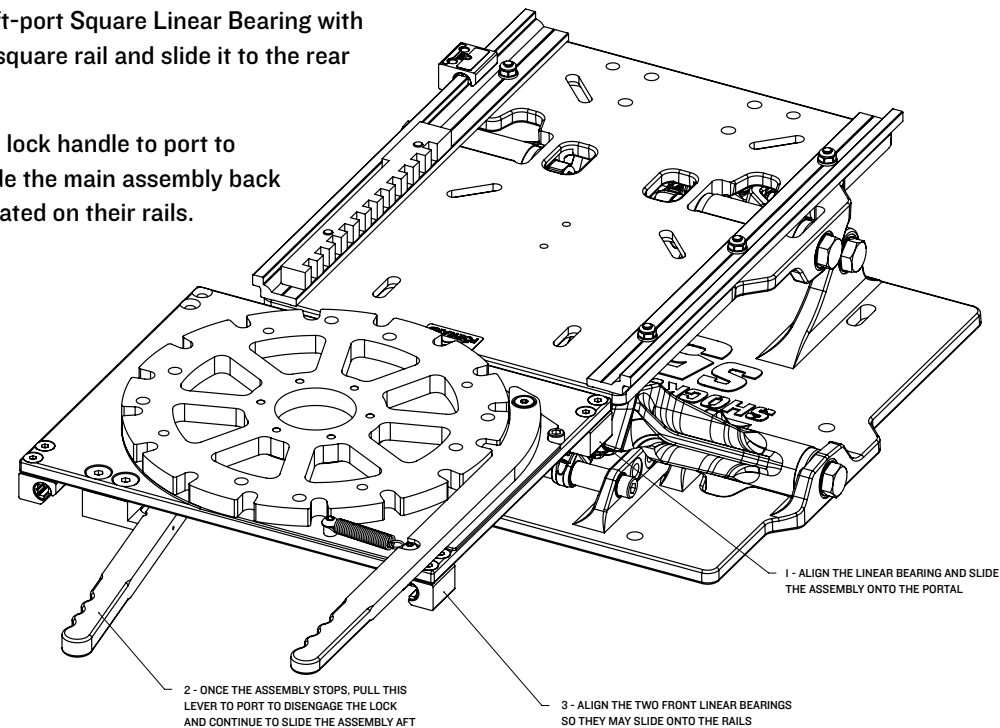
SLIDE THE LINEAR BEARING ONTO THE STARBOARD RAIL FROM THE REAR OF THE MODULE



4. Slide the Square Linear Bearing (SW-05491) onto the starboard square rail from the rear of the module.

SLIDE (SW-05489) & SWIVEL SLIDE (SW-05488) INSTALLATION INSTRUCTIONS CONTINUED

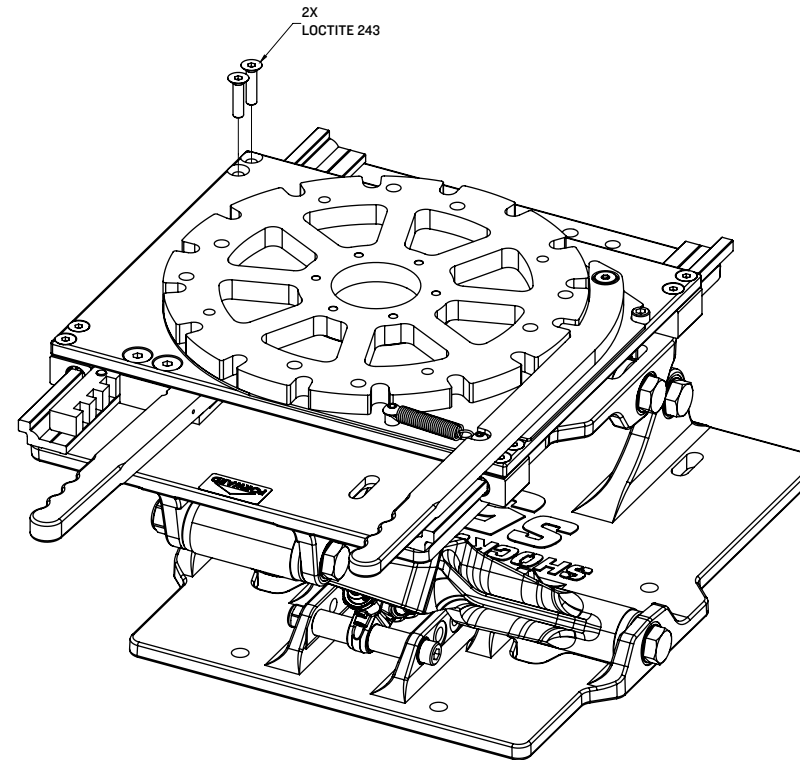
5. Align the main assembly's aft-port Square Linear Bearing with the forward end of the port square rail and slide it to the rear until it stops.
6. Pull the lower red horizontal lock handle to port to disengage the lock, then slide the main assembly back until all four bearings are seated on their rails.



SLIDE (SW-05489) & SWIVEL SLIDE (SW-05488) INSTALLATION INSTRUCTIONS CONTINUED

7. Secure the aft-starboard Square Linear Bearing (SW-05491) to the main assembly with 2 – M6 x 25 flat head cap screws and Loctite 243 (sold separately). Tighten till fasteners are secure - do not over tighten.
8. Pull the lower red horizontal lock handle to port and slide the main assembly forward until the two rear fastener assemblies are visible. Tighten till fasteners are secure - do not over tighten.
9. Slide the main assembly all the way to the aft and tighten the remaining fasteners until secure. Do not over tighten.
10. Once complete, the seat can be installed. If using Commander Seats please refer to the Commander Seat instructions which comes with the seat.

SLIDE (SW-05489) & SWIVEL SLIDE (SW-05488) INSTALLATION INSTRUCTIONS CONTINUED

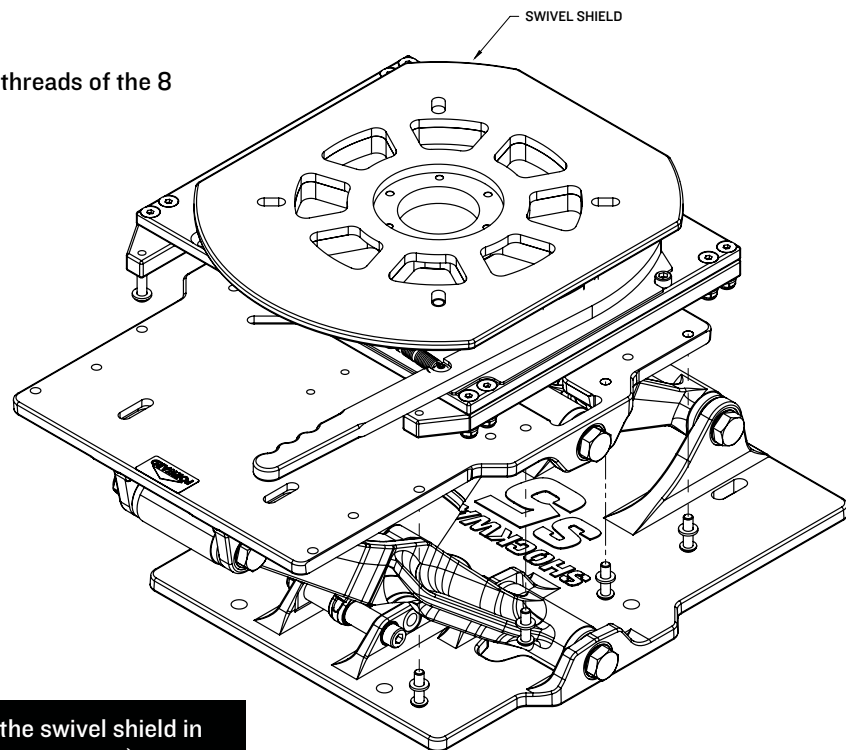


IMPORTANT

If installing Commander Seat, install the swivel shield in orientation shown (rounded edge facing forward) on page 10.

SWIVEL (SW-05592) INSTALLATION INSTRUCTIONS

1. Apply Loctite 243 (purchased separately) to the threads of the 8 fasteners provided.
2. Loosely install all fasteners.
3. Once all fasteners are installed tighten to 8nm [70in-lbs] - do not over tighten.



IMPORTANT

If installing Commander Seat, install the swivel shield in orientation shown (rounded edge facing forward).

WARRANTY AND WARRANTY POLICY

Shockwave Seats expressly warrants that all mechanical seat components in its MARINE AND OTHER and SUSPENSION SEATS shall be free from defects in material and workmanship for one year from the date-of-sale provided such seats are subject to normal use and receive proper maintenance. Shockwave Seats expressly warrants that the cushions and seat covers shall be free from defectively sewn seams for a period of 90 days or 750 hours of use, whichever comes first, excluding normal wear and tear. Rips, tears, abrasions and installation damages are not covered by warranty.

Your sole and exclusive remedy against Shockwave Seats arising from the purchase or use of MARINE AND OTHER and SUSPENSION SEATS is limited to repair or replacement of defective materials or defective workmanship, after verification by Shockwave Seats. Defective product or materials may be requested for return by SHOCKWAVE Seats for inspection prior to issuing any replacements. Freight charges for returns are to be covered by the user.

All warranty claims shall have prior approval from Shockwave Seats warranty department and must be accompanied by the information requested on the following Claim Form. Products will be repaired or replaced at the sole discretion of Shockwave Seats.

These warranties will become null and void if:

- The seat is abused or altered
- The seat is involved in an accident
- The seat is improperly installed
- The seat is used for other than its intended use, contrary to any of the instructions in the manual provided
- There is damage to the cushions and covers caused by cuts, burns, or abuse
- There is damage to the seat caused during installation or unpacking
- There is damage to the structural integrity as a result of the user installing unapproved accessories
- Footrests are mounted directly to seat
- Occupant weight exceed 250lbs [113kgs] for 3g deck accelerations

WARRANTY DISCLAIMERS AND LIMITATIONS OF LIABILITY

THE ABOVE EXPRESSED WARRANTIES SHALL BE THE EXCLUSIVE WARRANTIES, AND SHOCKWAVE SEATS MAKES NO OTHER WARRANTIES, EXPRESSED OR IMPLIED. SHOCKWAVE SEATS EXPRESSLY DISCLAIMS ANY IMPLIED WARRANTIES OF MERCHANTABILITY AND IMPLIED WARRANTIES OF FITNESS FOR A PARTICULAR PURPOSE.

IT IS AGREED THAT SHOCKWAVE SEATS SHALL NOT BE LIABLE FOR INCIDENTAL OR CONSEQUENTIAL DAMAGES, including, but not limited to, loss of income, loss of use, lost profits, damage to other property, the cost of removing and reinstalling the INDUSTRIAL SEATING or SUSPENSION SEATS, attorney's fees, and any liability you may have with respect to any other person.

TIME LIMIT ON COMMENCING LEGAL ACTION

It is agreed that you have one year from the accrual of a claim to commence any legal action arising from the purchase or use of the MARINE AND OTHER or SUSPENSION SEATS, or be barred forever. Failure to give prompt written notice within ten (10) days of the discovery of any defect in material or workmanship that occurs within the warranty period will void the warranty. Send notification to:

SHOCKWAVE SEATS Warranty Department

Unit 2-2075 Henry Avenue West, Sidney BC Canada V8L 1T2
Email: support@shockwaveseats.com - Phone: +1.250.656.6165

WARRANTY CLAIM FORM MUST BE SUBMITTED

Download your Warranty Claim Form at shockwaveseats.com/warranty

SHOCKWAVE

MARINE SUSPENSION SEATING