

SHOCKWAVE

S3

S3

LIGHTWEIGHT SINGLE JOCKEY WITH STORAGE

SW-S3L-2414



TRAVEL
8" IN

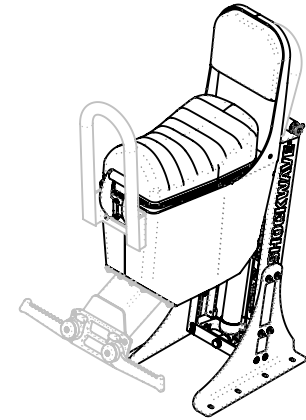
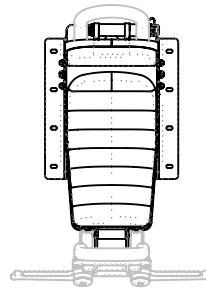
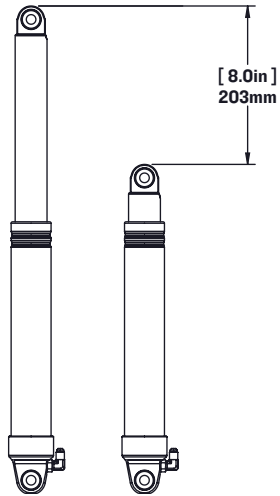
SHOCKWAVE's S3 Lightweight Jockey Seat With Storage is a popular high travel jockey seat designed for heavy duty deck mounted applications where feet in suspension may be needed. Optional under seat storage provides dry, shock mitigated protection for personal effects. Seat shown with front handrails.

SHOCKWAVE's S3 Lightweight Jockey Seats are designed 20% lighter while improving performance and prolonging the time to Whole Body Vibration (WBV) limit. To maximize deck space, they offer a quick release track system, and quick connect height adjust. Suitable for high-speed RIBS, boarding operations and tactical craft, there is no jockey seat like it. The 8-inch travel FOX Float H2O shock absorber sets the benchmark for performance.

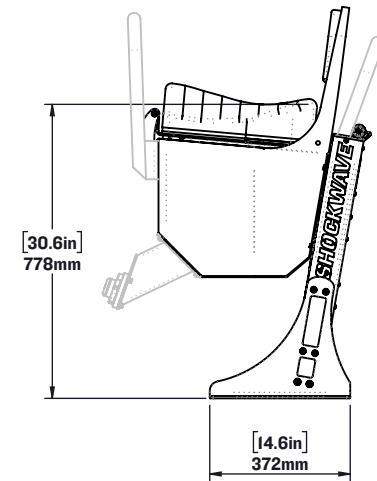
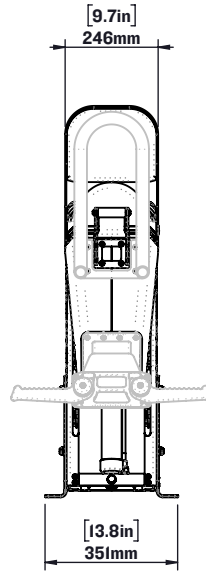
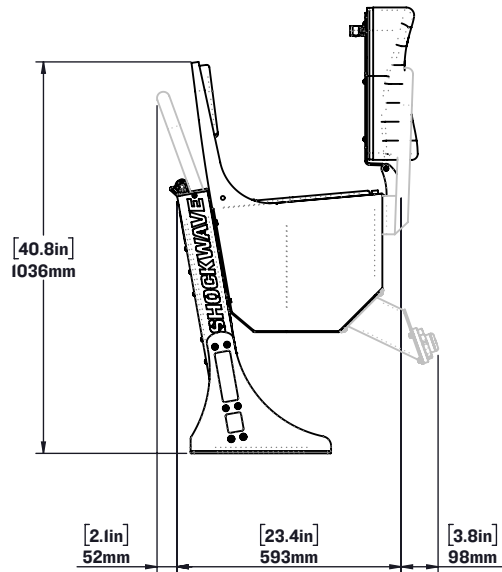


LEARN MORE ABOUT OUR PRODUCTS AT
SHOCKWAVESEATS.COM

+1-778-426-8545
sales@shockwavesats.com



SEAT HEIGHT OPTIONS	
+1	[31.8in] 808mm
STANDARD	[30.6in] 778mm



NOTES:

1. OCCUPIED SEAT HEIGHT WILL BE [1.5in] 38mm LOWER THAN LISTED DIMENSION
2. SHOWN WITH OPTIONAL GRABRAILS

SHOCKWAVE

FOR MORE INFORMATION
CALL US AT 1-778-426-8545
OR VISIT US ONLINE AT
WWW.SHOCKWAVESEATS.COM

PROPRIETARY AND CONFIDENTIAL

NOTICE: THIS DRAWING MAY REVEAL DESIGNS OR INFORMATION PROPRIETARY TO PROFESSIONAL COMPONENTS LTD. BY ACCEPTANCE OF REPRODUCTIONS, RECIPIENTS AGREE TO PROTECT PROFESSIONAL COMPONENTS LTD. RIGHTS AND ARE WARNED AGAINST USE OF THE DOCUMENT FOR ANY PURPOSE OTHER THAN THAT FOR WHICH IT WAS ISSUED.

SW-S3L-2414

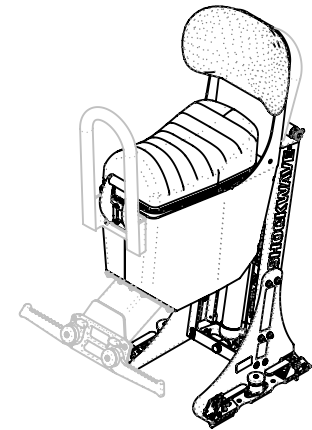
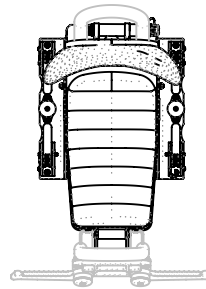
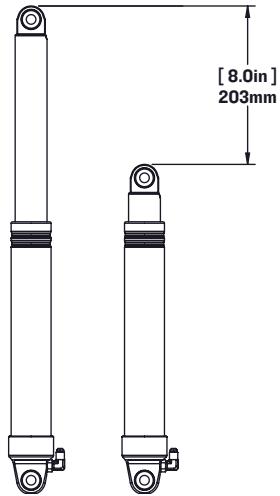
S3A Lightweight Jockey Seat with Storage Box

WEIGHT: [53 lbs] 24.2 kg

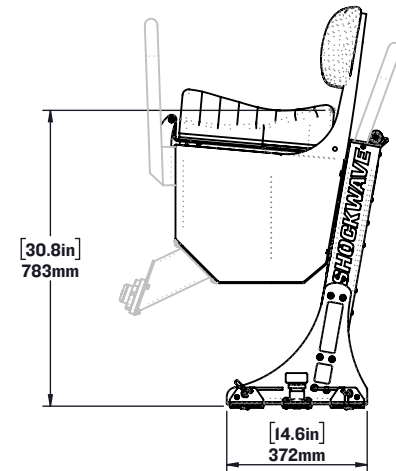
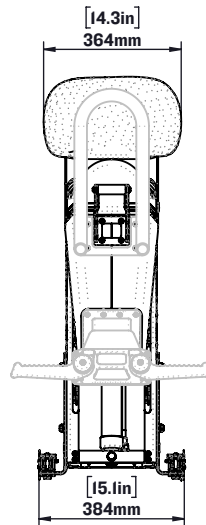
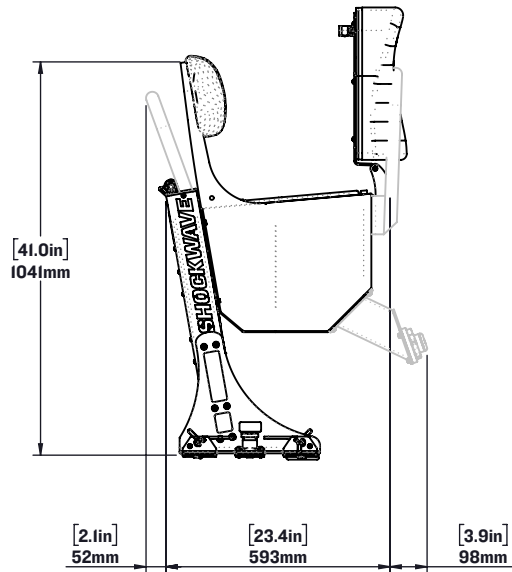
SCALE:1:24

SHEET 1 OF 1

REV: 00



SEAT HEIGHT OPTIONS	
+1	[32.0in] 813mm
STANDARD	[30.8in] 783mm



NOTES:

1. OCCUPIED SEAT HEIGHT WILL BE [1.5in] 38mm LOWER THAN LISTED DIMENSION
2. SHOWN WITH OPTIONAL GRABRAILS

SHOCKWAVE

FOR MORE INFORMATION
CALL US AT 1-778-426-8545
OR VISIT US ONLINE AT
WWW.SHOCKWAVESEATS.COM

PROPRIETARY AND CONFIDENTIAL

NOTICE: THIS DRAWING MAY REVEAL DESIGNS OR INFORMATION PROPRIETARY TO PROFESSIONAL COMPONENTS LTD. BY ACCEPTANCE OF REPRODUCTIONS, RECIPIENTS AGREE TO PROTECT PROFESSIONAL COMPONENTS LTD. RIGHTS AND ARE WARNED AGAINST USE OF THE DOCUMENT FOR ANY PURPOSE OTHER THAN THAT FOR WHICH IT WAS ISSUED.

SW-S3L-2414

S3A Lightweight Jockey Seat with Storage Box

WEIGHT: [53 lbs] 24.2 kg

SCALE:1:24

SHEET 1 OF 1

REV: 00