

SHOCKWAVE

S5

S5 | **JOCKEY**
SW-S5-2400

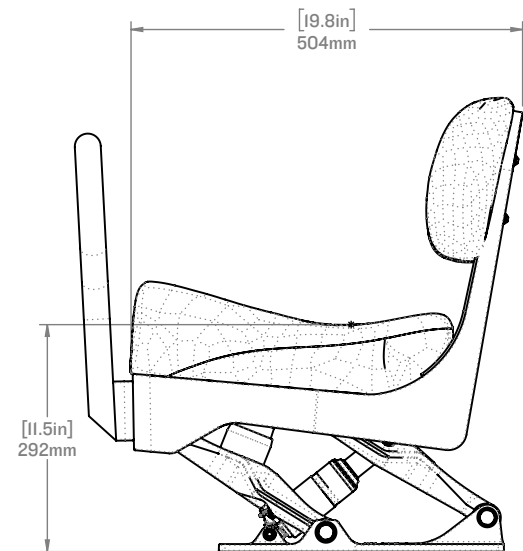
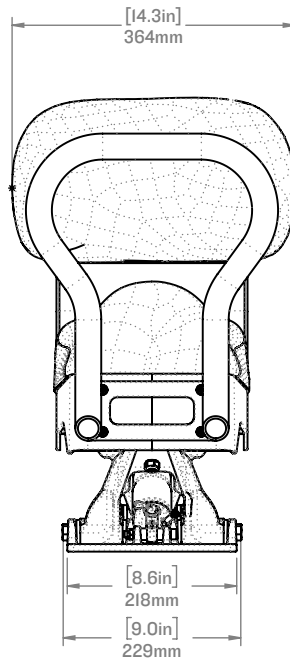
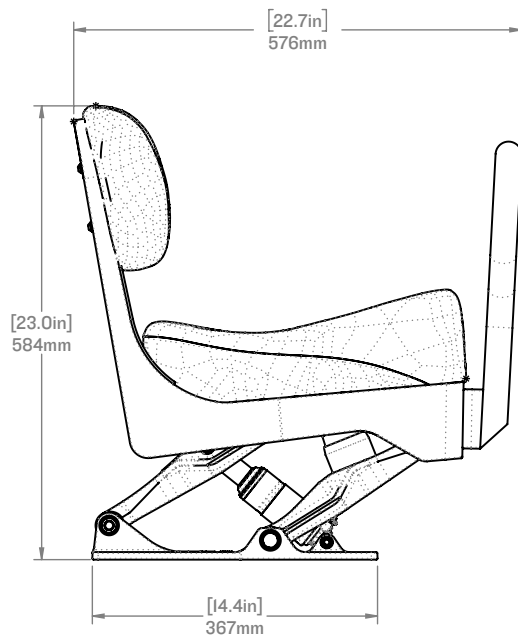
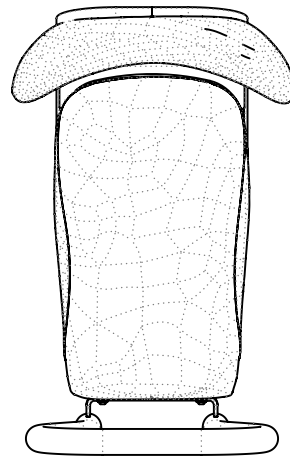
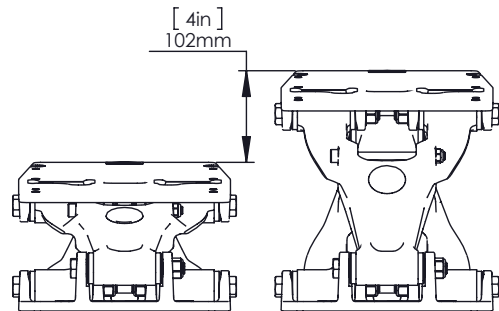


 **TRAVEL**
4" IN

The SHOCKWAVE S5 SENTINEL Jockey offers an integrated seat frame to minimize weight. The shock absorber features adjustable spring and rebound rate for any payload and sea condition. It comes with closed cell foam cushions and features heavy duty marine grade vinyl upholstery. Designed for comfort and durability, it is one of our most compact and slolution and ideal for refits and custom builds. Seat shown with optional grab rail and storage box.

LEARN MORE ABOUT OUR PRODUCTS AT
SHOCKWAVESEATS.COM

+1-778-426-8545
sales@shockwvaseats.com



SHOCKWAVE

FOR MORE INFORMATION
CALL US AT 1-778-426-8545
OR VISIT US ONLINE AT
WWW.SHOCKWAVESEATS.COM

PROPRIETARY AND CONFIDENTIAL

NOTICE: THIS DRAWING MAY REVEAL DESIGNS OR INFORMATION PROPRIETARY TO PROFESSIONAL COMPONENTS LTD. BY ACCEPTANCE OF REPRODUCTIONS, RECIPIENTS AGREE TO PROTECT PROFESSIONAL COMPONENTS LTD. RIGHTS AND ARE WARNED AGAINST USE OF THE DOCUMENT FOR ANY PURPOSE OTHER THAN THAT FOR WHICH IT WAS ISSUED.

SW-S5-2400

S5 JOCKEY SEAT ASSEMBLY

WEIGHT: [39.4lbs] 17.9 kg

SCALE: 1:10

SHEET 1 OF 1

REV: 03