

SHOCKWAVE

S2

S2 | MID-BACK HELM SEAT SW-S2-1200



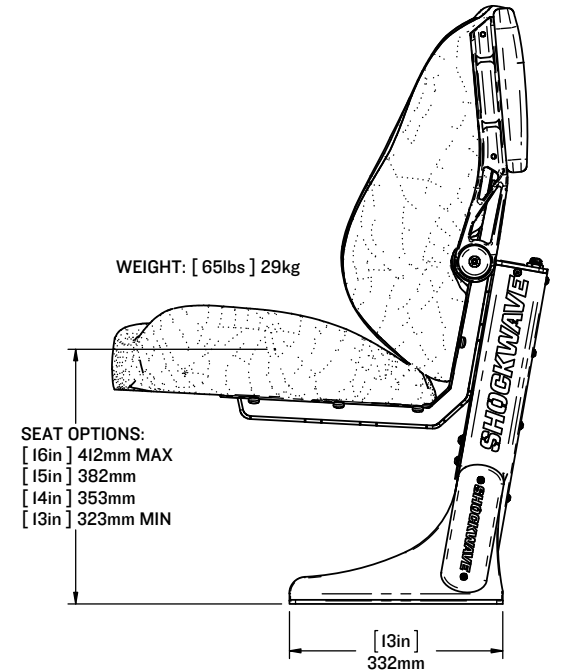
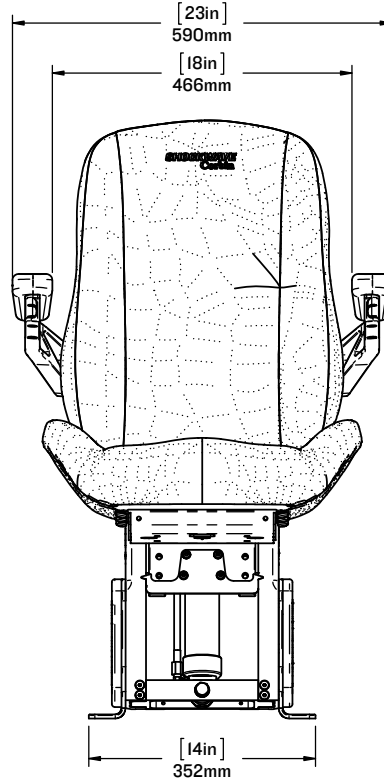
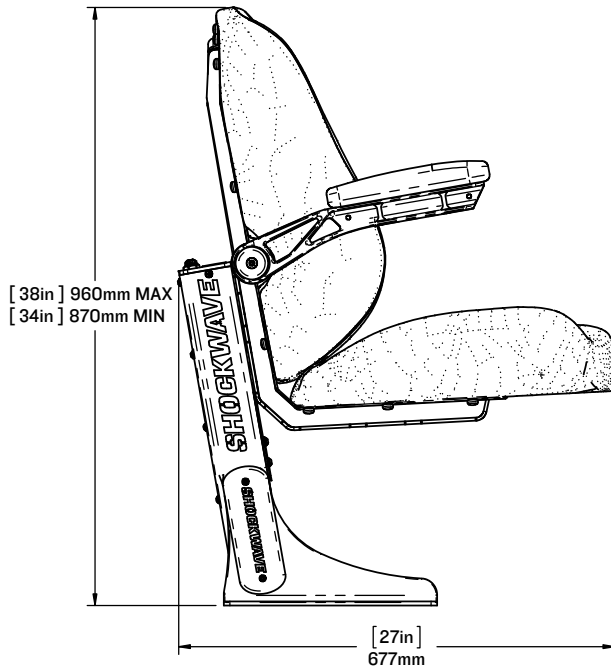
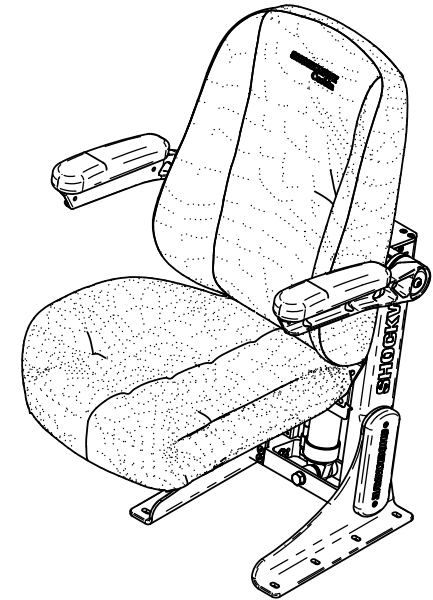
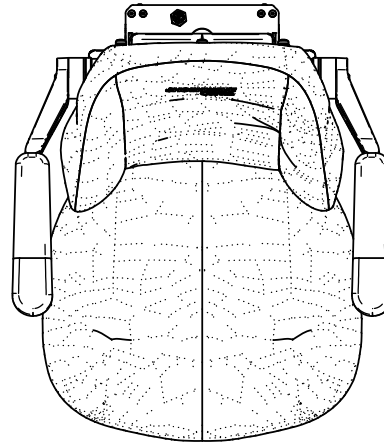
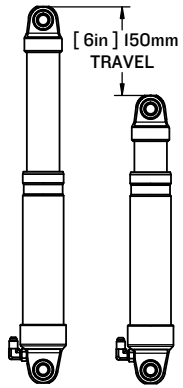
TRAVEL
6" IN

Our best-selling S2 Helm or Passenger Seat offers unparalleled ergonomics for comfort and performance. This Helm Seat can be mounted on a seat riser, storage box or even bulkhead mounted. Commonly used on cabin boats for moderate to heavy sea conditions. Our S2 Helm Seat is also available in a Mid-Back or a High-Back version for extra head and neck support.

Seat shown with Deck Slide and Armrests.

LEARN MORE ABOUT OUR PRODUCTS AT
SHOCKWAVESEATS.COM

+1-778-426-8545
sales@shockwaveSeats.com



SHOCKWAVE

FOR MORE INFORMATION
CALL US AT 250-656-6165
OR VISIT US ONLINE AT
WWW.SHOCKWAVESEATS.COM

PROPRIETARY AND CONFIDENTIAL

NOTICE: THIS DRAWING MAY REVEAL DESIGNS OR INFORMATION PROPRIETARY TO PROFESSIONAL COMPONENTS LTD. BY ACCEPTANCE OF REPRODUCTIONS, RECIPIENTS AGREE TO PROTECT PROFESSIONAL COMPONENTS LTD. RIGHTS AND ARE WARNED AGAINST USE OF THE DOCUMENT FOR ANY PURPOSE OTHER THAN THAT FOR WHICH IT WAS ISSUED.

SW-S2-1200
S2A CORBIN MID BACK SEAT

SCALE:1:12

SHEET 1 OF 1

REV: 00