

SHOCKWAVE

S2

S2 | MID-BACK FLIP BOLSTER SW-S2-1201



TRAVEL
6" IN

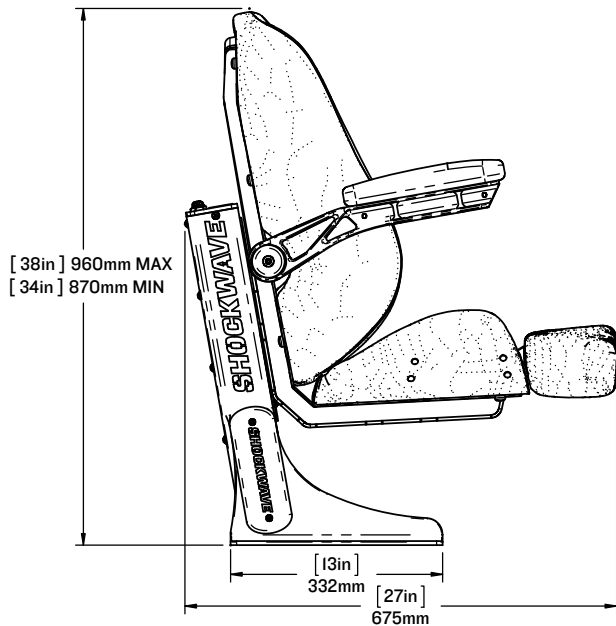
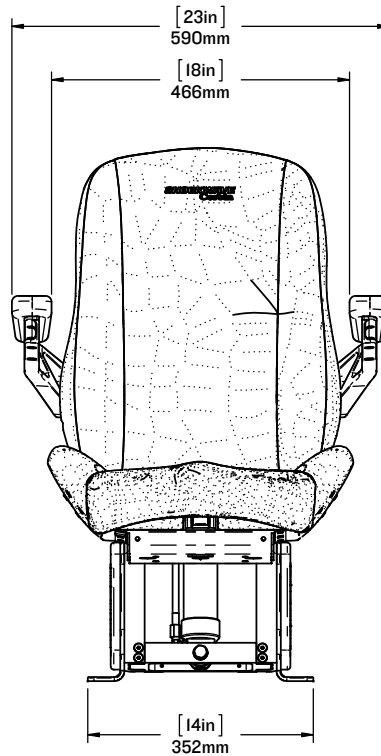
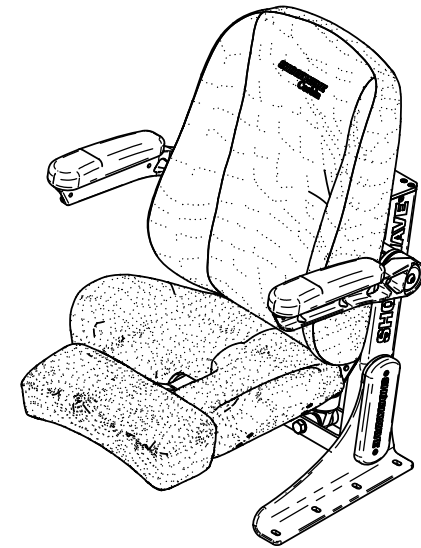
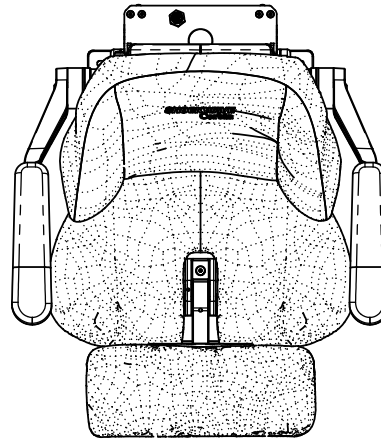
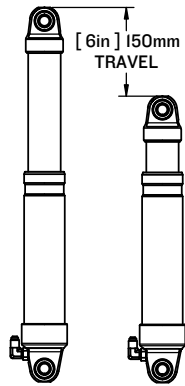
This seat offers a flip bolster, enabling occupants to sit or stand while providing superior ergonomics and performance. With its low seat mounting height, the S2 Helm Seat fits on top of seat riser-storage boxes in place of traditional truck seats.

The S2 Flip Bolster is a popular choice for cabin and T-top applications. For the helm and nav operators, the optional Fore/Aft Slide and Height Adjust ensure compliance and comfort for a full range of occupants.

Seat shown with Deck Slide, Deck Mount and Armrests.

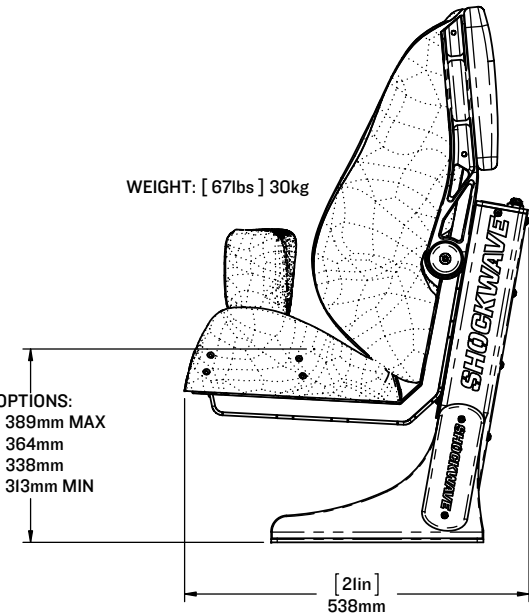
LEARN MORE ABOUT OUR PRODUCTS AT
SHOCKWAVESEATS.COM

+1-778-426-8545
sales@shockwavesats.com



WEIGHT: [67lbs] 30kg

SEAT OPTIONS:
[15in] 389mm MAX
[14in] 364mm
[13in] 338mm
[12in] 313mm MIN



SHOCKWAVE

FOR MORE INFORMATION
CALL US AT 250-656-6165
OR VISIT US ONLINE AT
WWW.SHOCKWAVESEATS.COM

PROPRIETARY AND CONFIDENTIAL

NOTICE: THIS DRAWING MAY REVEAL DESIGNS OR INFORMATION
PROPRIETARY TO PROFESSIONAL COMPONENTS LTD. BY
ACCEPTANCE OF REPRODUCTIONS, RECIPIENTS AGREE
TO PROTECT PROFESSIONAL COMPONENTS LTD. RIGHTS
AND ARE WARNED AGAINST USE OF THE DOCUMENT FOR
ANY PURPOSE OTHER THAN THAT FOR WHICH IT WAS ISSUED.

SW-S2-1201
S2A CORBIN MID BACK FLIP BOLSTER SEAT

SCALE:1:12

SHEET 1 OF 1

REV: 00