

# SHOCKWAVE

# S3

## S3 | MID-BACK FLIP BOLSTER SW-S3-12014



TRAVEL  
8" IN

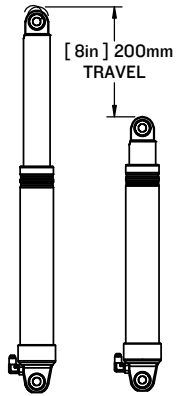
This industry leading S3 helm or passenger seat offers superior design while delivering comfort and safety. The sit or stand drop-down seat can be deck or bulkhead mounted. Commonly used on open RHIB boats for the most demanding sea conditions.

Optional integrated folding footrest folds automatically when drop down seat is stowed or deployed. The bulkhead mounted S3 seat keeps the deck area below the seat free from tracks, slides, and mounts, allowing occupants to move freely around the seats without injuring exposed feet.

Seat shown with Folding Footrest, Armrests and Deck Mounts.

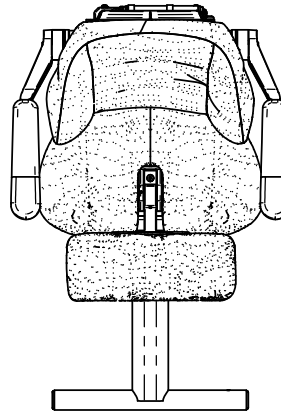
LEARN MORE ABOUT OUR PRODUCTS AT  
**SHOCKWAVESEATS.COM**

+1-778-426-8545  
sales@shockwvaseats.com



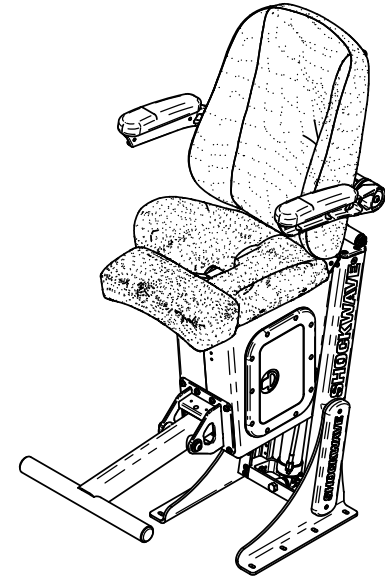
[8in] 200mm  
TRAVEL

[22in]  
557mm

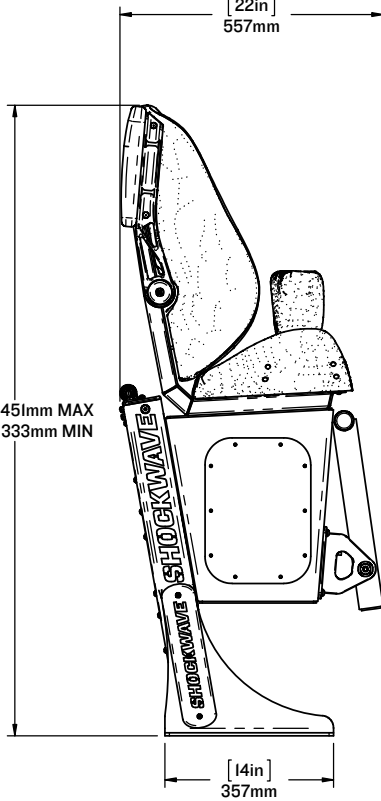


[23in]  
590mm

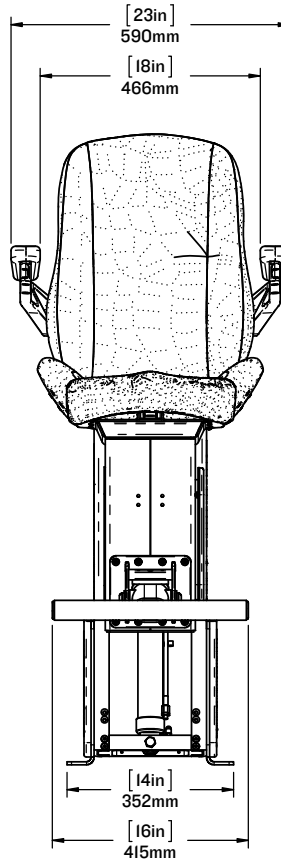
[18in]  
466mm



[57in] 1451mm MAX  
[52in] 1333mm MIN



[14in]  
357mm

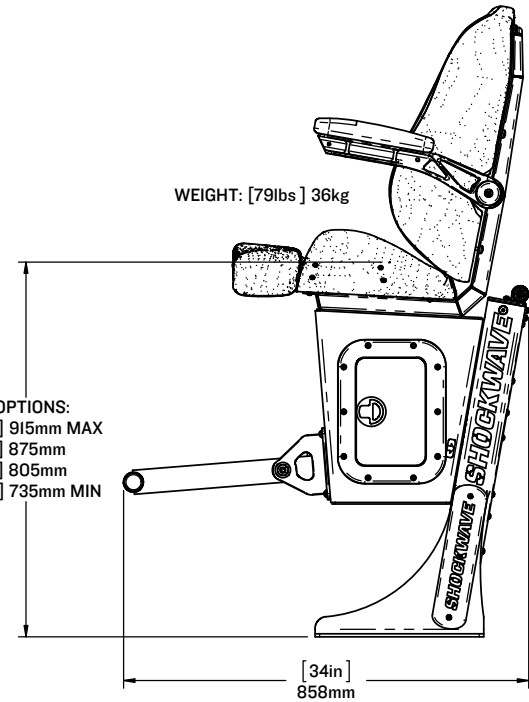


[14in]  
352mm

[16in]  
415mm

WEIGHT: [79lbs] 36kg

SEAT OPTIONS:  
[36in] 915mm MAX  
[34in] 875mm  
[32in] 805mm  
[29in] 735mm MIN



[34in]  
858mm

**SHOCKWAVE**

FOR MORE INFORMATION  
CALL US AT 250-656-6165  
OR VISIT US ONLINE AT  
[WWW.SHOCKWAVESEATS.COM](http://WWW.SHOCKWAVESEATS.COM)

**PROPRIETARY AND CONFIDENTIAL**

NOTICE: THIS DRAWING MAY REVEAL DESIGNS OR INFORMATION PROPRIETARY TO PROFESSIONAL COMPONENTS LTD. BY ACCEPTANCE OF REPRODUCTIONS, RECIPIENTS AGREE TO PROTECT PROFESSIONAL COMPONENTS LTD. RIGHTS AND ARE WARNED AGAINST USE OF THE DOCUMENT FOR ANY PURPOSE OTHER THAN THAT FOR WHICH IT WAS ISSUED.

**SW-S3-12014**

S3A CORBIN MID BACK FLIP BOLSTER SEAT WITH STORAGE BOX

SCALE:1:16

SHEET 1 OF 1

REV: 00