

SHOCKWAVE

S3

S3 | HIGH-BACK WITH STORAGE SW-S3-1304



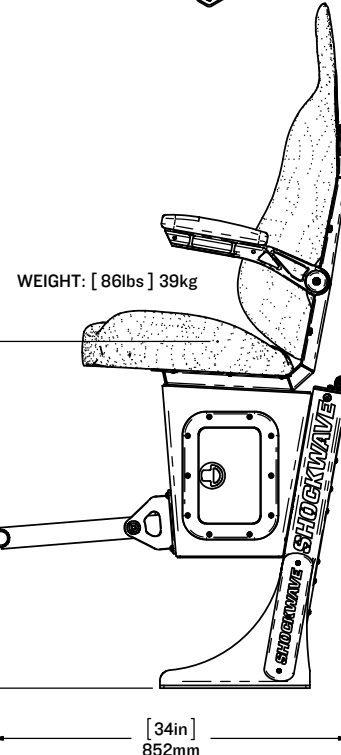
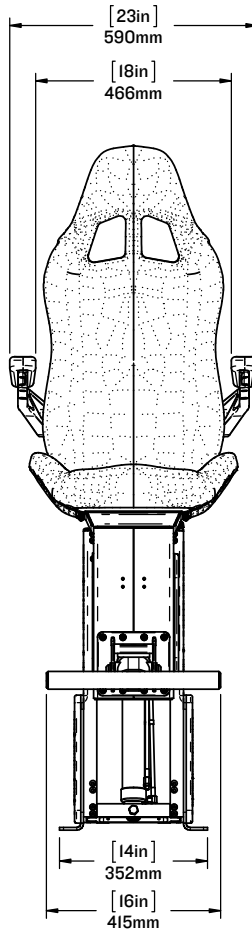
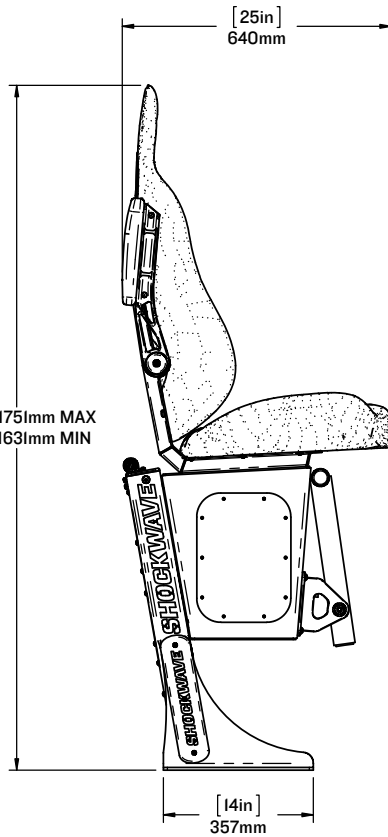
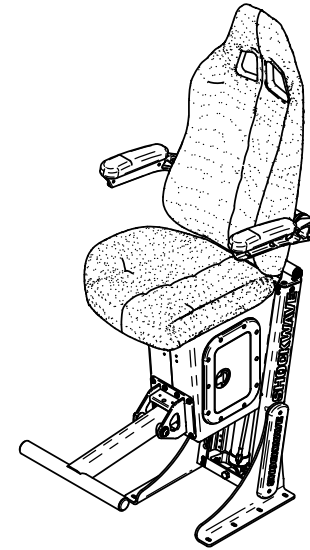
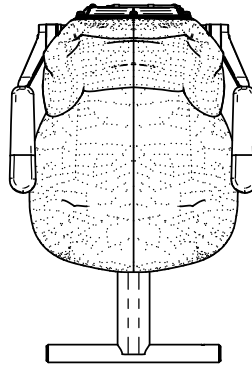
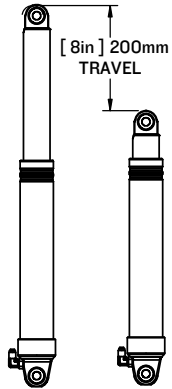
TRAVEL
8" IN

Our most comfortable S3 helm or passenger seat offers best-in-class ergonomics and can be bulkhead mounted or deck mounted. Most commonly used in cabin boats for the most demanding sea conditions. The storage box is useful for stowing and protecting personal effects.

Seat shown with Folding Footrest, Armrests and Deck Mounts.

LEARN MORE ABOUT OUR PRODUCTS AT
SHOCKWAVESEATS.COM

+1-778-426-8545
sales@shockwavesats.com



[69in] 1751mm MAX
[64in] 1631mm MIN

SEAT HEIGHT:
[36in] 920mm MAX
[34in] 860mm
[32in] 800mm MIN

WEIGHT: [86lbs] 39kg

SHOCKWAVE

FOR MORE INFORMATION
CALL US AT 250-656-6165
OR VISIT US ONLINE AT
WWW.SHOCKWAVESEATS.COM

PROPRIETARY AND CONFIDENTIAL

NOTICE: THIS DRAWING MAY REVEAL DESIGNS OR INFORMATION PROPRIETARY TO PROFESSIONAL COMPONENTS LTD. BY ACCEPTANCE OF REPRODUCTIONS, RECIPIENTS AGREE TO PROTECT PROFESSIONAL COMPONENTS LTD. RIGHTS AND ARE WARNED AGAINST USE OF THE DOCUMENT FOR ANY PURPOSE OTHER THAN THAT FOR WHICH IT WAS ISSUED.

SW-S3-1304

S3A HIGH BACK SEAT WITH STORAGE BOX

SCALE:1:18

SHEET 1 OF 1

REV: 00