

FEEL BETTER.
TRAVEL FARTHER.

SHOCKWAVE

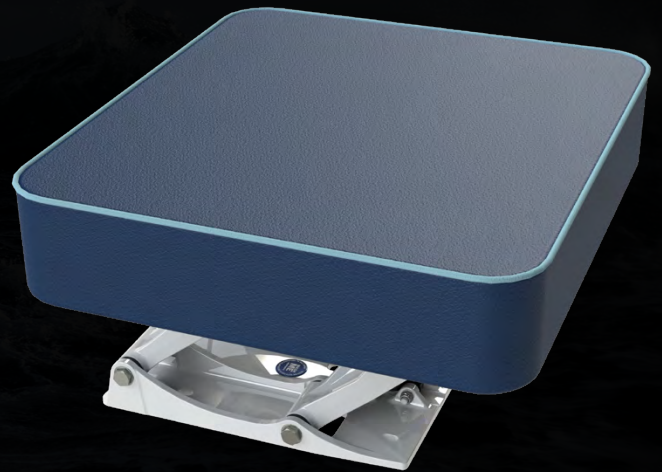
MARINE SUSPENSION SEATING

A NEW WAY TO USE THE SHOCKWAVE S5 SENTINEL SUSPENSION BUILD A BENCH SEAT WITH SUSPENSION!

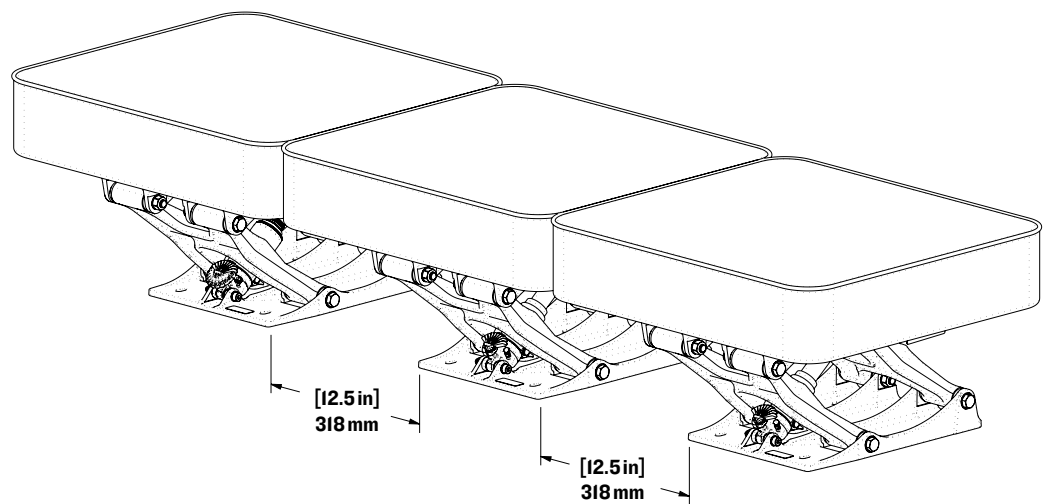
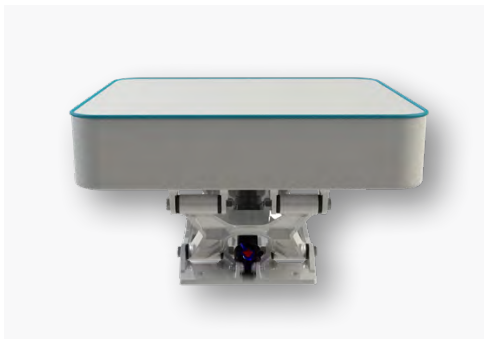
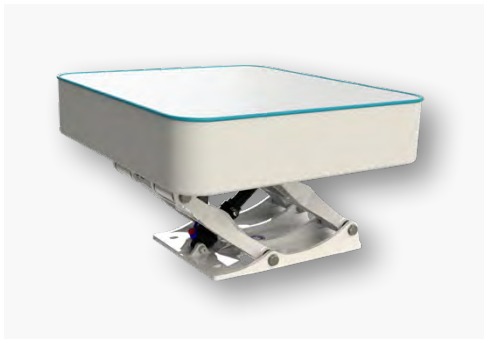
Customers always ask how to use our suspension for a bench seat. Now we have drawings to demonstrate this concept. Both with and without a back, we can provide drawings to help you fit these into your boat design.

SHOCKWAVE Seats has designed a bench seat concept with dimensional drawings and material suggestions that can be used by boat builders and boat owners, to incorporate suspension capabilities into their bench seating.

Whether at the helm, nav, or a row across the stern, with or without a back, as many as you like, you can add suspension to any bench seating, as long as your base will accommodate the 8.5" in vertical height that is needed between the seat cushion and the base.



Bench seating with suspension simply needs to have separate seat cushions (we recommend 22.5" - 24") for each suspension base, and they need to be pressurized individually. The seat can be wider or deeper, these drawings show our suggestion, but the fit can be customized to the space available for the bench.



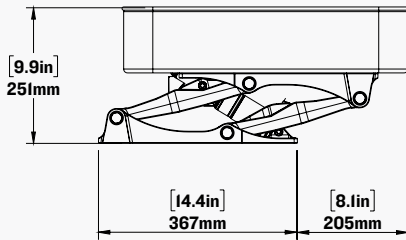
S5 Sentinel Bench Modules shown in sequenced configuration with recommended spacing between suspension bases when cushions are 22.5" wide.

FEEL BETTER.
TRAVEL FARTHER.

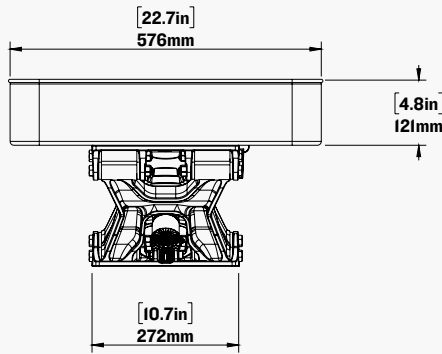
SHOCKWAVE

MARINE SUSPENSION SEATING

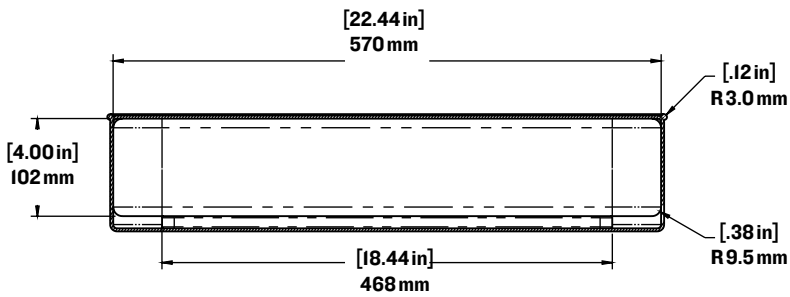
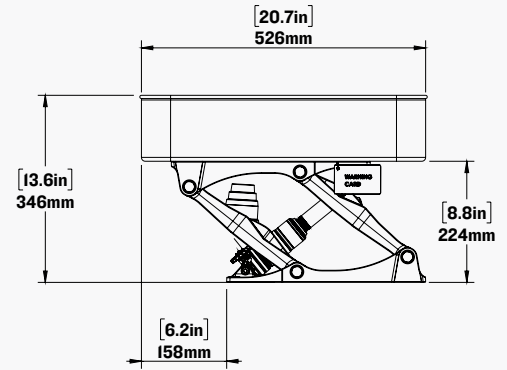
FULLY COMPRESSED



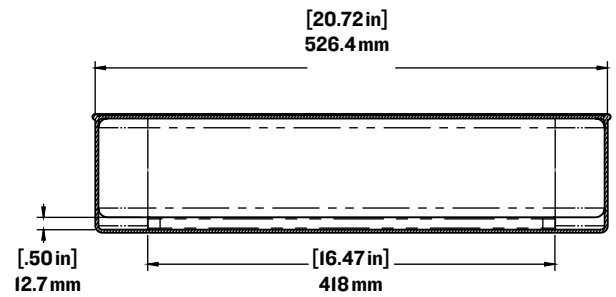
RECOMMENDED CUSHION DIMENSIONS



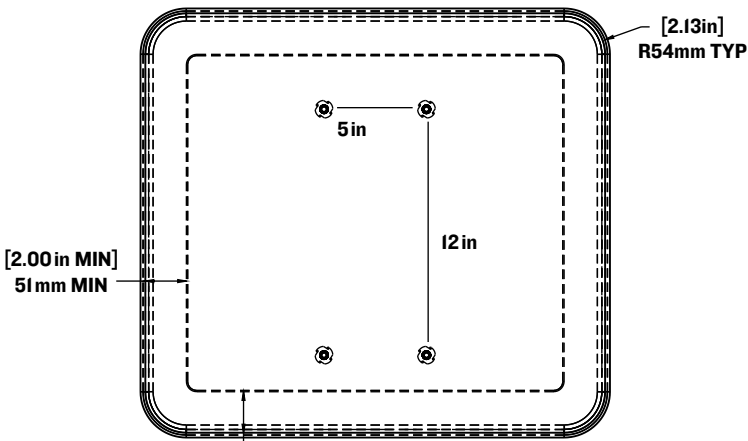
UNOCCUPIED



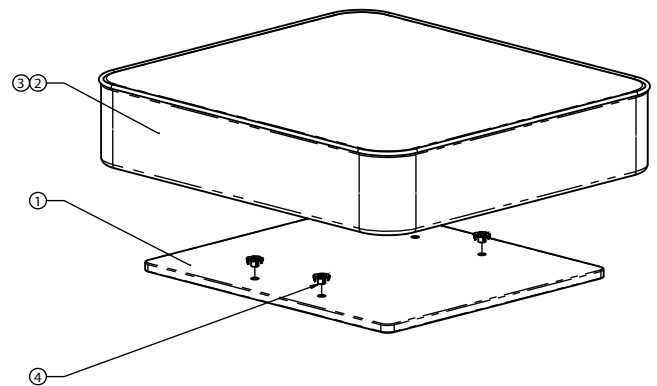
FRONT VIEW



SIDE VIEW



FRONT OF SEAT



ITEM	QTY.	PART NO.	DESCRIPTION
1	1	Sentinel Bench Seat Baseplate	Bench Seat Baseplate 1/2" HDPE
2	1	Sentinel Bench Seat Foam	Polyurethane Foam Seat 4"
3	1	Sentinel Bench Seat Upholstery	Custom Seat Upholstery
4	4	5/16-18 TEE NUTS	1/16-18 Stainless Steel Tee Nut For 13/32 Drill