

SHOCKWAVE

ICE

ICE⁴

INTEGRATED CONTROL ENVIRONMENT

SW-ICE4006



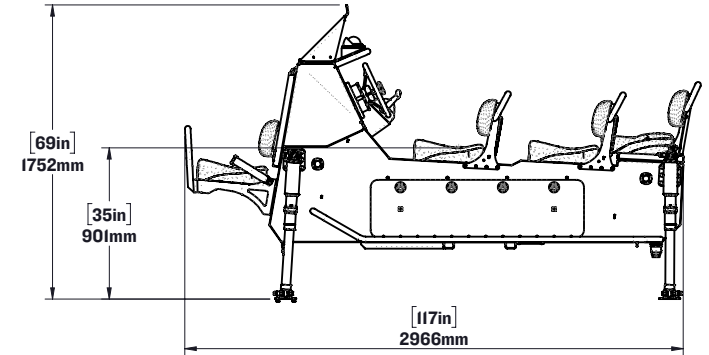
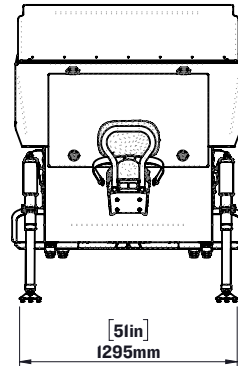
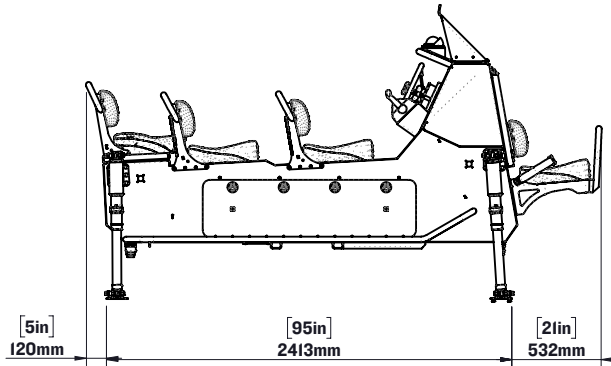
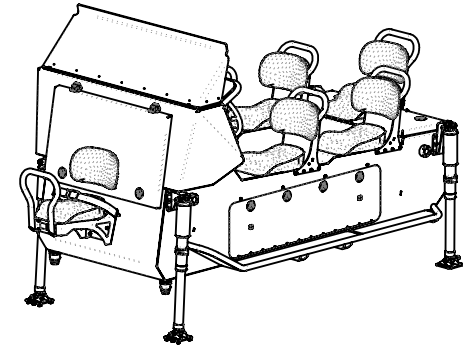
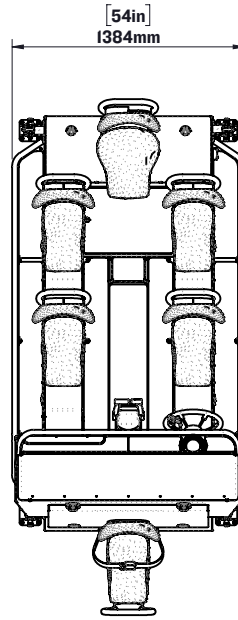
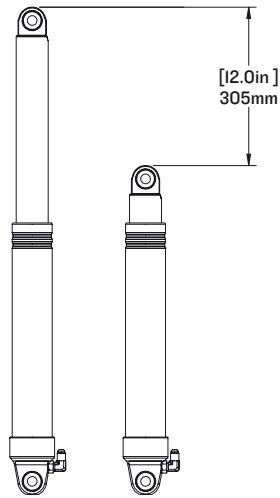
TRAVEL
12" IN

ICE4 SIX-PERSON

The ICE4 is a patented suspended console with Jockey Seats, designed to provide advanced, adjustable, multi-axis shock mitigation for vessel crews, electronics and personal effects. It is lighter weight than the ICE3, compact and offers an optional folding radar arch. The ICE4 structure can also accommodate climate controls, weather protection, sensors and antennas. This unit has fully adjustable 12-inch FOX Megafloat H20 racing shock absorbers located on each corner and a sway bar to limit roll. It can be configured to accommodate 4 to 6 passengers.

LEARN MORE ABOUT OUR PRODUCTS AT
SHOCKWAVESEATS.COM

+1-778-426-8545
sales@shockwavesats.com



NOTE:
OCCUPIED HEIGHT WILL BE [2.25in] 57mm LOWER THAN LISTED DIMENSION

US PATENT NO. 9,422,039

SHOCKWAVE

FOR MORE INFORMATION
CALL US AT 1-778-426-8545
OR VISIT US ONLINE AT
WWW.SHOCKWAVESEATS.COM

PROPRIETARY AND CONFIDENTIAL

NOTICE: THIS DRAWING MAY REVEAL DESIGNS OR INFORMATION PROPRIETARY TO PROFESSIONAL COMPONENTS LTD. BY ACCEPTANCE OF REPRODUCTIONS, RECIPIENTS AGREE TO PROTECT PROFESSIONAL COMPONENTS LTD. RIGHTS AND ARE WARNED AGAINST USE OF THE DOCUMENT FOR ANY PURPOSE OTHER THAN THAT FOR WHICH IT WAS ISSUED.

SW-ICE4006

ICE4 6 MAN

WEIGHT: [635 lbs] 288 kg

SCALE:1:45

SHEET 1 OF 1

REV: 01