

# SHOCKWAVE

# S6

## S6 | SUSPENSION MODULE SW-07366

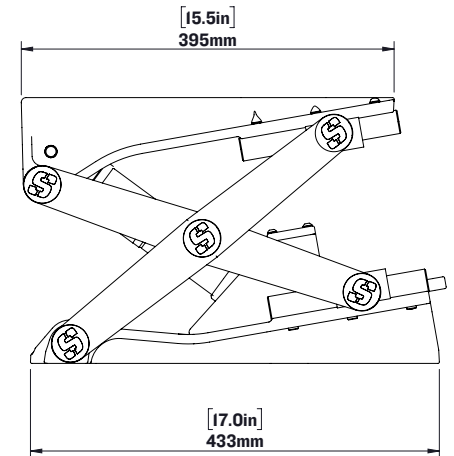
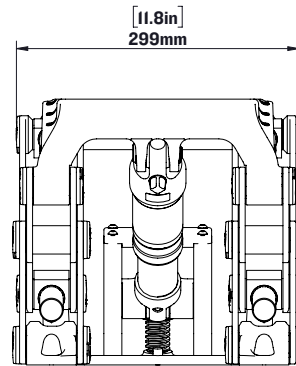
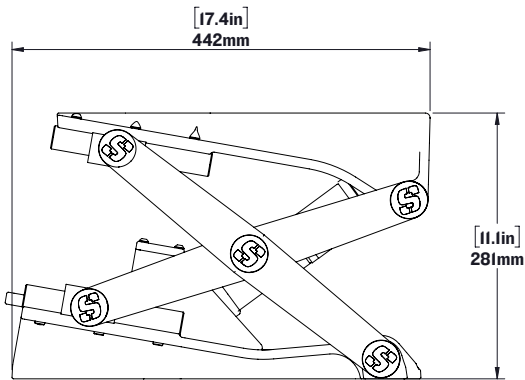
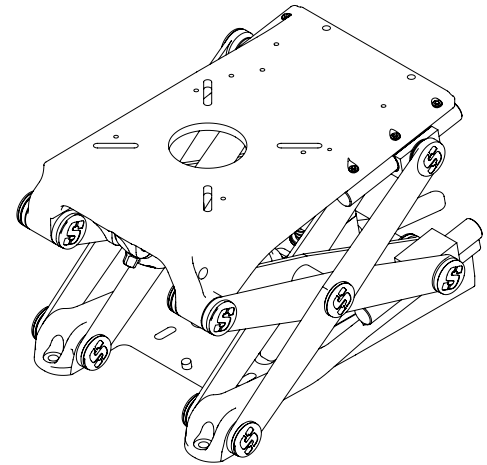
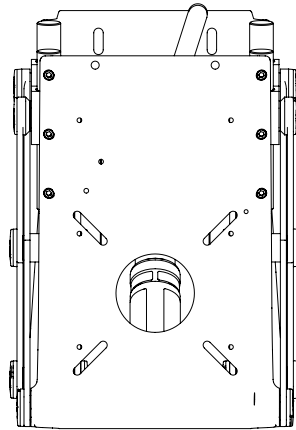
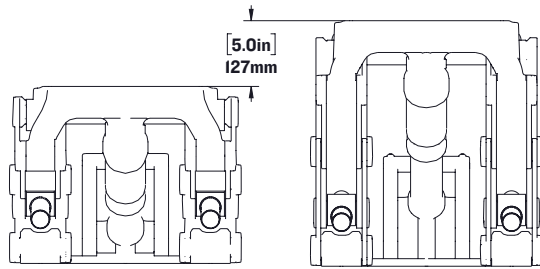


**TRAVEL**  
**5.5" IN**

The S6 is a purpose-built suspension module with a fully integrated height adjust, actuated with a ratchet mechanism for precise adjustability. It provides 5.5" of travel to mitigate the shock of 6g impacts for occupants up to 300lbs. The height of the S6 Suspension Module is 10" in its lowest position and 13" in its highest.

LEARN MORE ABOUT OUR PRODUCTS AT  
**SHOCKWAVESEATS.COM**

+1-778-426-8545  
sales@shockwvseats.com



**SHOCKWAVE**

FOR MORE INFORMATION  
CALL US AT 1-778-426-8545  
OR VISIT US ONLINE AT  
[WWW.SHOCKWAVESEATS.COM](http://WWW.SHOCKWAVESEATS.COM)

**PROPRIETARY AND CONFIDENTIAL**

NOTICE: THIS DRAWING MAY REVEAL DESIGNS OR INFORMATION PROPRIETARY TO PROFESSIONAL COMPONENTS LTD. BY ACCEPTANCE OF REPRODUCTIONS, RECIPIENTS AGREE TO PROTECT PROFESSIONAL COMPONENTS LTD. RIGHTS AND ARE WARNED AGAINST USE OF THE DOCUMENT FOR ANY PURPOSE OTHER THAN THAT FOR WHICH IT WAS ISSUED.

**SW-07366**

S6 Module

WEIGHT: [31.9 lbs] 14.5 kg

SCALE:1:10

SHEET 1 OF 1

REV: