

SHOCKWAVE *MARINE SUSPENSION SEATING* **S5**



Corbin2

INSTALLATION MANUAL

CORBIN2 SEAT

Part ID: SW-04920



FEEL BETTER. TRAVEL FARTHER.

CUSTOMER SERVICE

At SHOCKWAVE, we've proven that innovation and attention to the highest safety standards can protect boaters from the shock of wave impact.

As avid boaters ourselves, we understand what our customers value most – and we create the best marine suspension seats in the world to provide a safer, more comfortable and exciting ride.

For parts and service support please
call **+1.778.426.8544** or
email **support@shockwaveSeats.com**

ADDRESS	2074 Henry Ave. Sidney BC Canada V8L 5Y1
WEBSITE	www.shockwaveSeats.com
SALES	+1.778.426.8545
RECEPTION	+1.778.426.8546
HOURS	8AM to 5PM PST

INCLUDED WITH YOUR PURCHASE - PARTS LIST:

- 1 – S5 Module
- 1 – Corbin2 - Fixed Back Seat
- 4 – 5/16x1" Countersunk Cap Screw
- 4 – 5/16 Flat Washer
- 4 – 5/16 Nyloc Nut
- 12 – Snap Base
- 12 – Snap Cap
- 12 – 1/4x1" Button Head Screw

TOOLS AND MATERIALS

IMPERIAL TOOLS REQUIRED

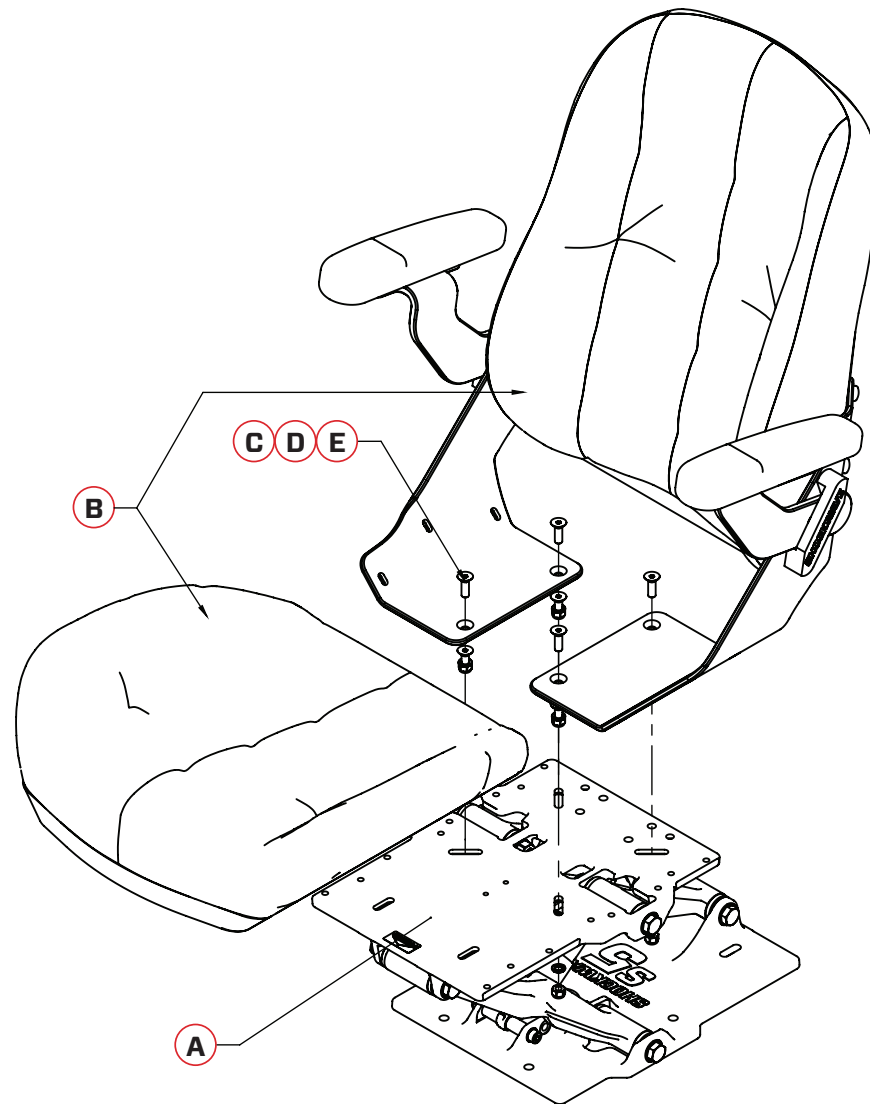
- 3/16" Allen Key
- 1/2" Wrench or Socket
- 9/64" Allen Key

MATERIALS REQUIRED

- Loctite 243 Medium Strength Thread Locker or Equivalent

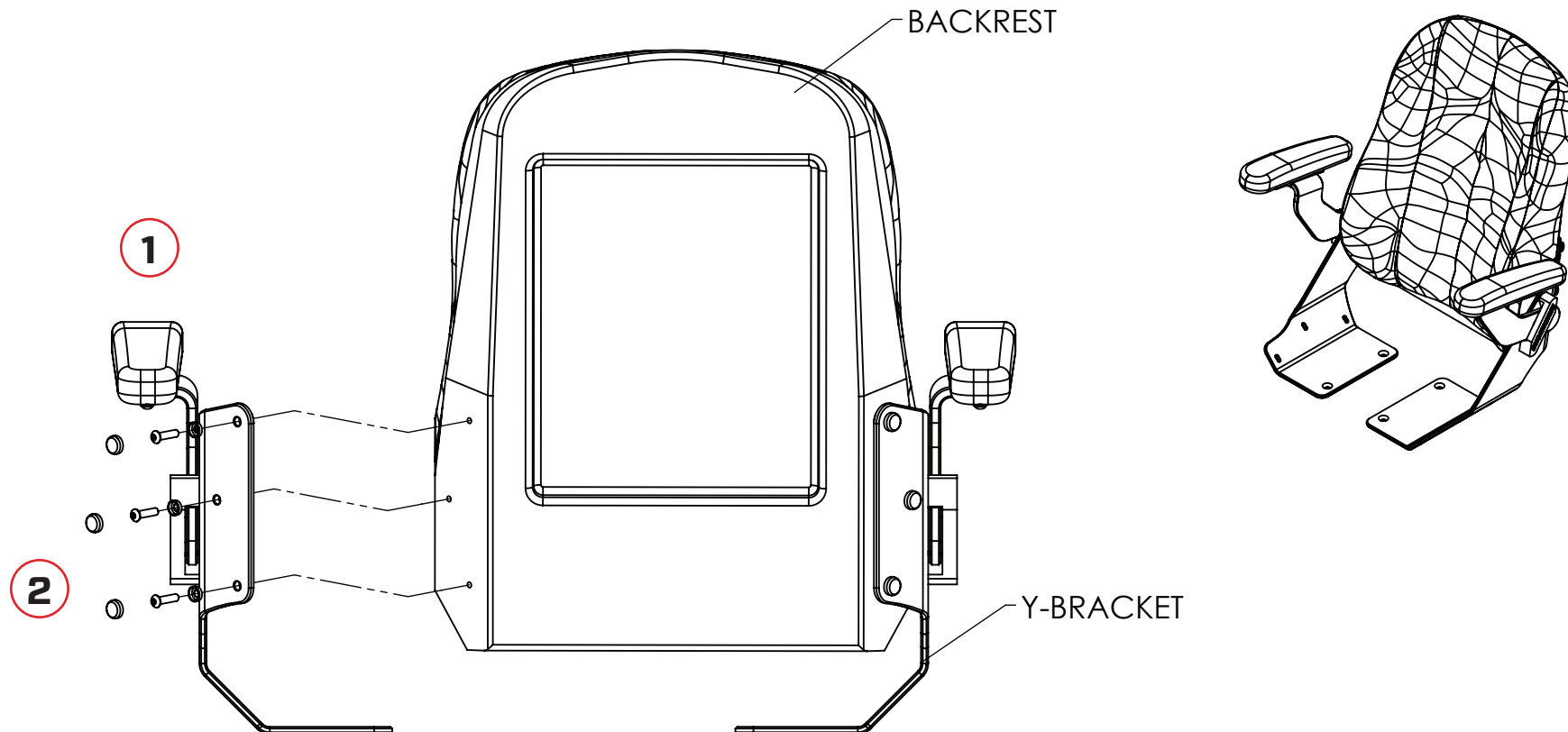
INSTALLATION INSTRUCTIONS OVERVIEW

- A** 1 – S5 Module
- B** 1 – Corbin2 - Fixed Back Seat
- C** 4 – 5/16 x 1" Countersunk Screw
- D** 4 – 5/16 Flat Washer
- E** 4 – 5/16 Nyloc Nut



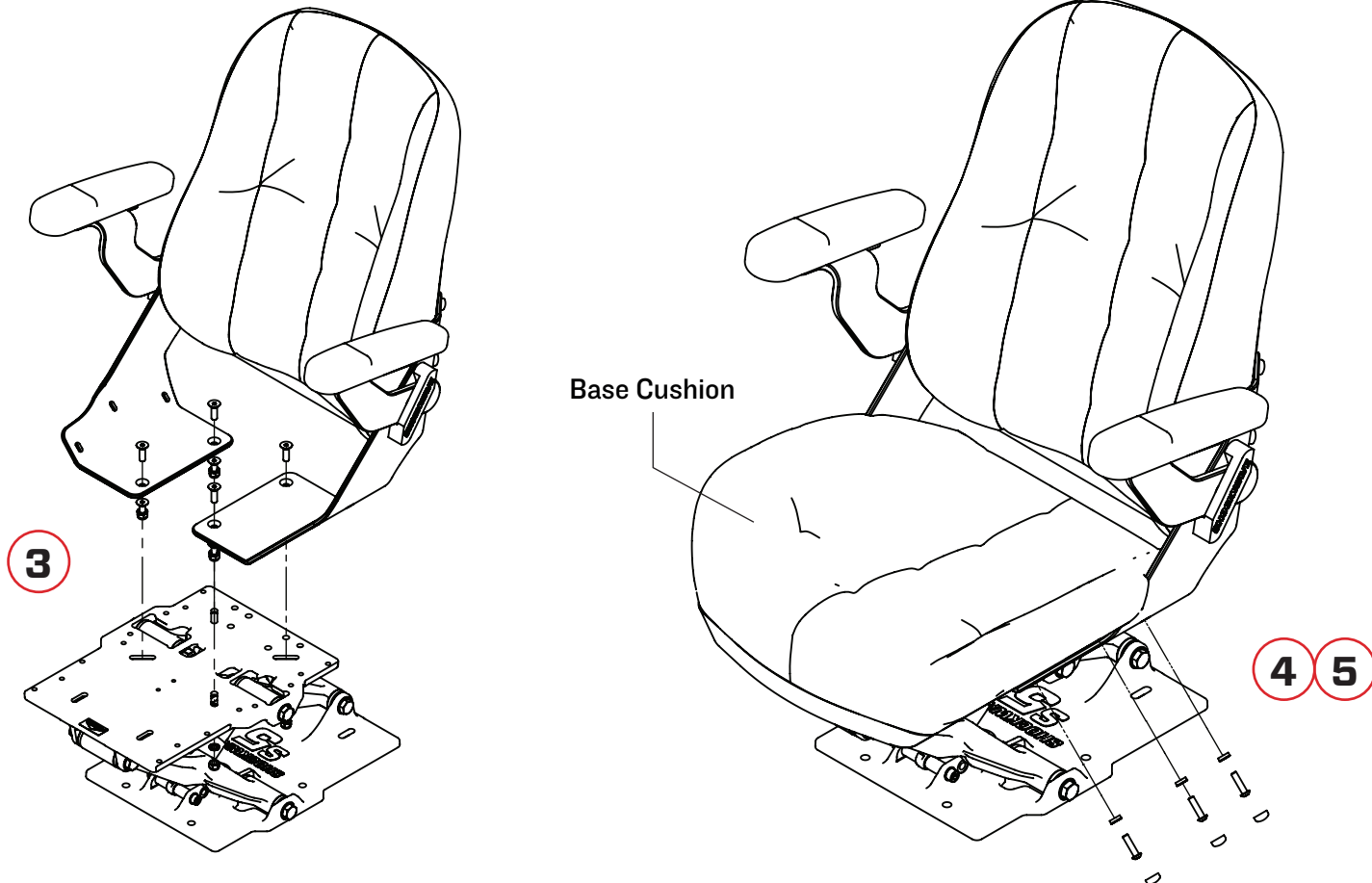
INSTALLATION INSTRUCTIONS - *Skip to 'Step 3' if the Y brackets are already attached to the backrest*

1. Pass six 1/4 x 1" fasteners through snap bases, then apply Loctite 243 and install the two Y brackets onto the backrest using the fasteners and torque to 5.9ft-lb.
2. Install snap caps.



INSTALLATION INSTRUCTIONS CONTINUED

3. Bolt backrest assembly onto S5 Module with nylock nuts and flat washers using four 5/16 x 1" countersunk cap screws and torque to 5.9ft-lb.
4. Pass six 1/4x1" fasteners through snap bases, then apply Loctite 243 and install loosely to base cushion before torquing to 5.9ft-lb.
5. Install snap caps.



SHOCKWAVE

2074 Henry Ave.

Sidney, British Columbia

V8L 5Y1 Canada

TEL: 01-250-656-6165

JOIN THE SHOCKWAVE COMMUNITY



@SHOCKWAVESEATS



@SHOCKWAVESEATS



youtube.com/shockwavedseats